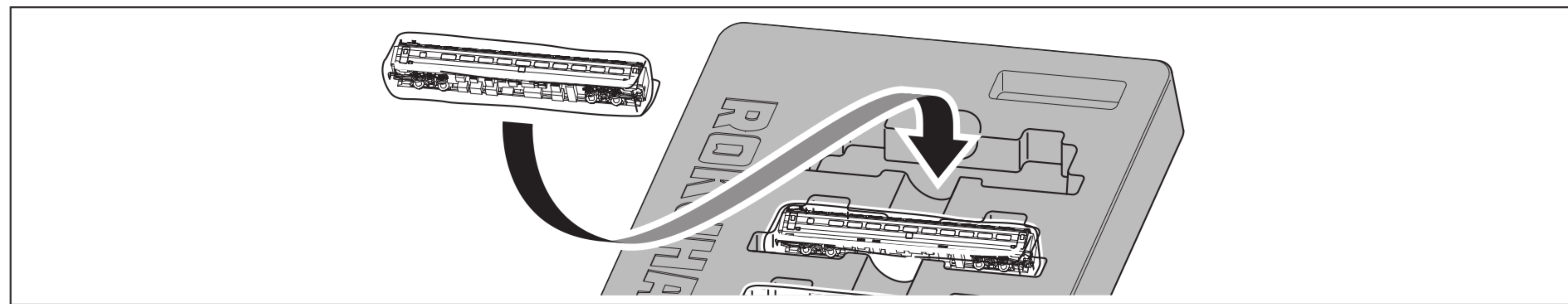


Thank you for purchasing this Rokuhan product.  
This product is precise. Please read this instruction manual carefully before operation and operate properly.

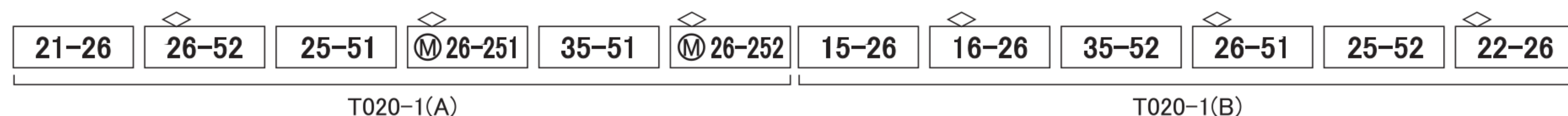
### 1. Caution

- Use only a Rokuhan controller to operate this product.
- Clean track (Metal rails) before operation.
- Remove dirt and dust on wheels.
- Do NOT operate continuously over a long period of time.
- Do NOT suddenly change train direction. Stop train first then change direction.
- In the case of derailment or short circuit, turn off the power of controller, unplug the controller, and then eliminate the cause of problem.
- Disassembling and modification could cause failure of this product.
- Storing this product in direct sunlight or fluorescent light for long time could cause change in color.
- Store and operate this product in dry dust free locations, away from sources of heat.
- To avoid shock or electrocution, do not operate this product in a wet location or operate with wet hands.
- This product includes sharp parts. Handle with care.
- Handle tools with care.
- This product is not recommended for use by children under 15 years old unless supervised by an adult.
- Please make sure to wrap the cars with Poly bag to avoid any damages when you pack the cars into blister package.

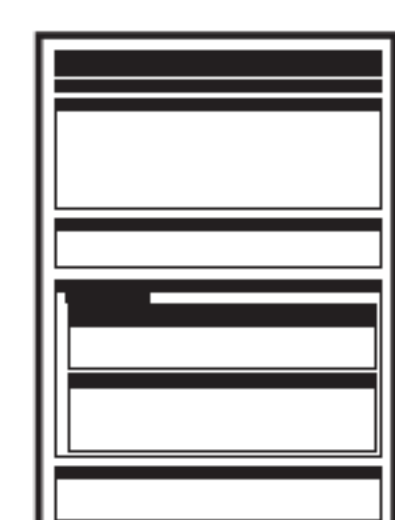


### 2. Contents of product and Formation

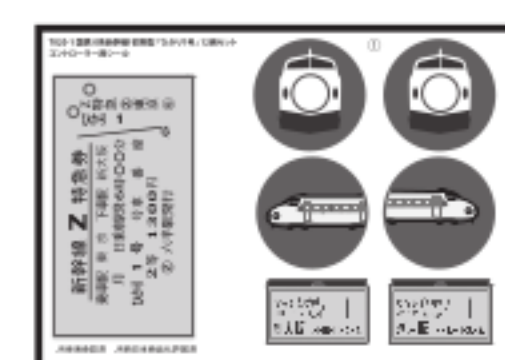
#### Formation



① JNR Series 0 Shinkansen.....12 cars



② Instruction manual .....1pc

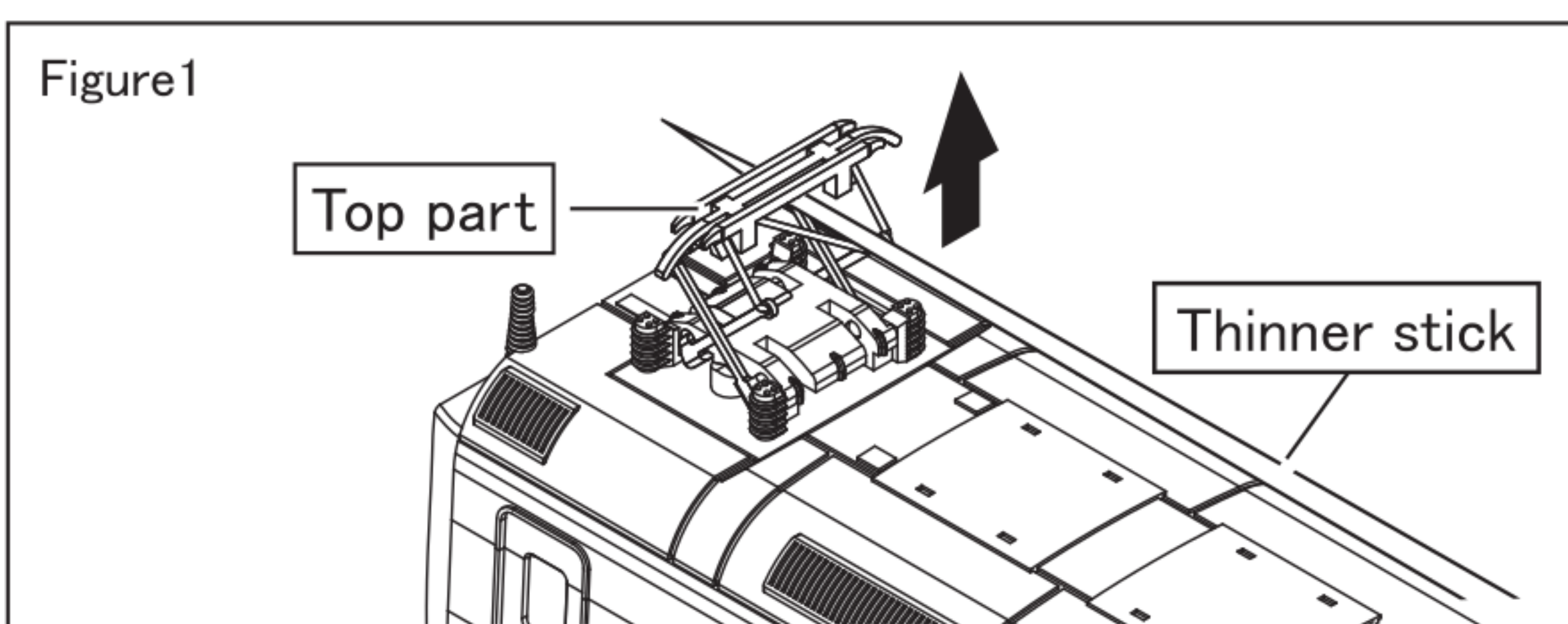


③ Label .....1pc

### 3. Caution to handle train

#### 3-1 How to set pantograph height Applicable model 26-52, 26-251, 26-252, 16-26, 26-51, 22-26

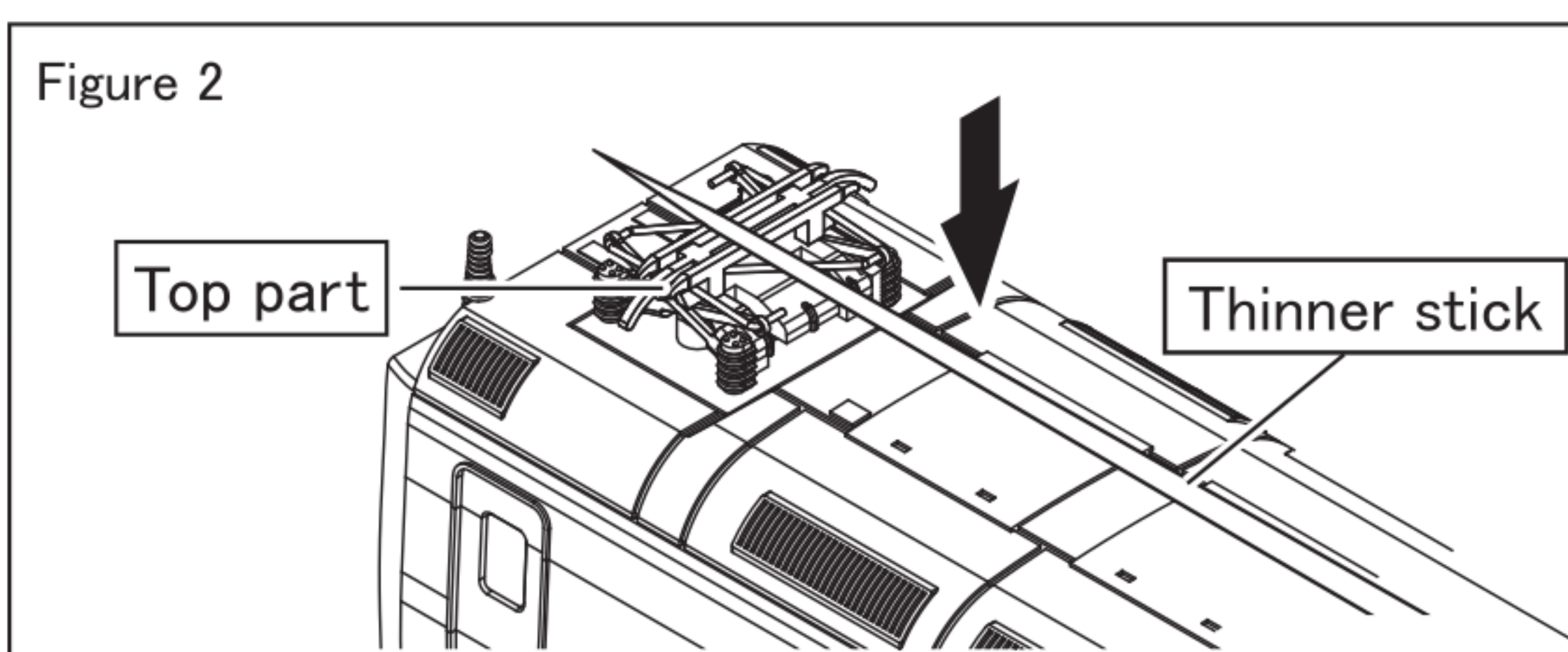
1. Pull-up top part softly by stick until stop. (See Figure 1)



Adjust angle to keep this position

\* Pantograph will be broken if pull-up too much.

2. Push down top part softly until touch. (See Figure 2)



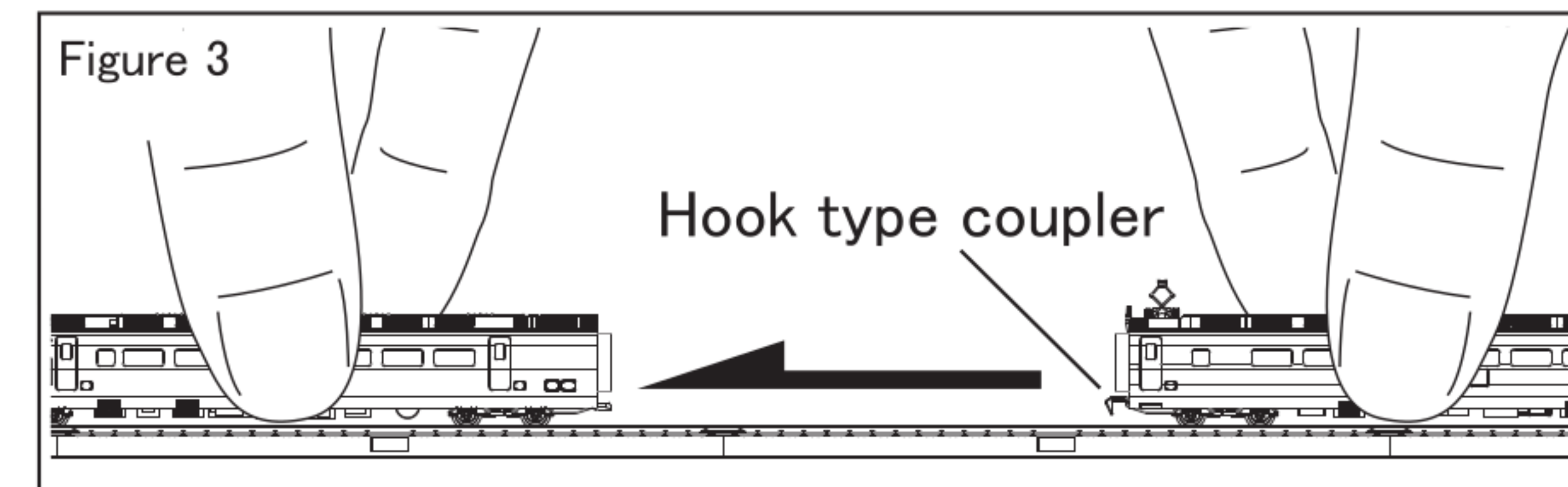
Adjust angle to keep this position

\* Pantograph will be broken if push down too much.

#### 3-2 Connect and dis-connect cars

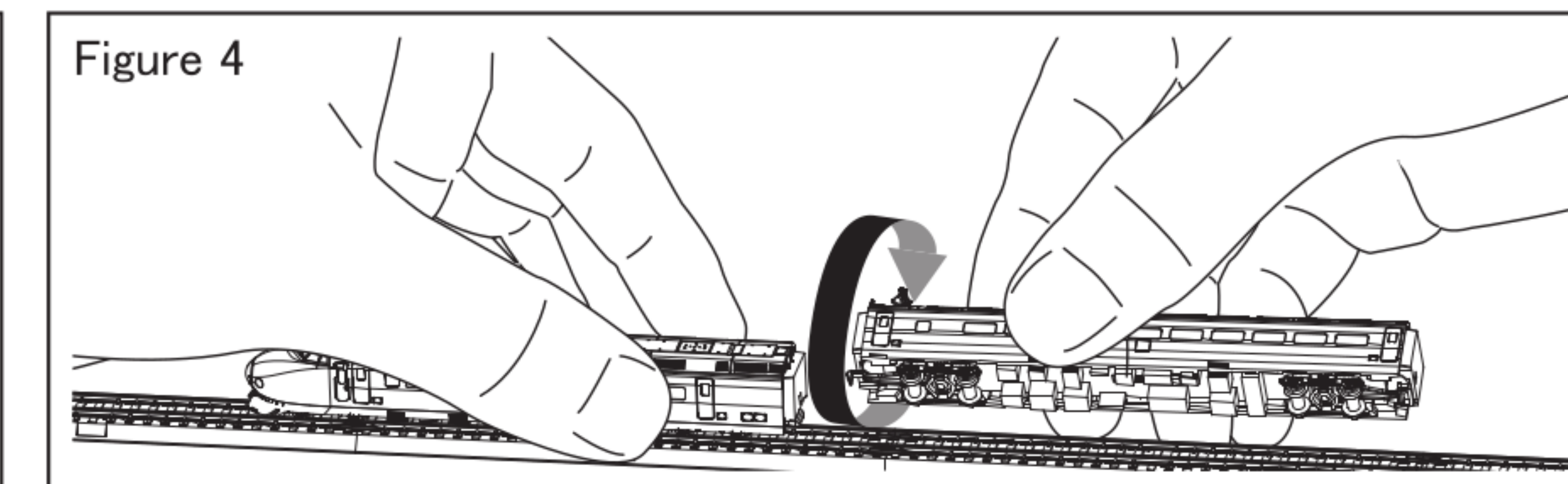
##### ● Connect cars

Place the cars on the straight track using Rerailer (Sold separately). Cramp each car by finger, shift the car (with Hook type coupler) forward and connect both cars. (See Figure 3)



##### ● Dis-connect cars

Cramp each car by finger and turn the car (with Hook type coupler) over, then both cars are dis-connected. (See Figure 4)



### 4. Accessories (Sold separately)

#### 4-1 Room light Applicable model • All cars

This product can install Room lights (sold separately) on all cars.  
For details, refer to Figure 5 to confirm the Room lights that correspond to each car, and then refer to the instruction manual that comes with each light.  
“A009” Room light A type and “A031 Room light for Shinkansen (long)” can be used.

Figure 5

Shin-Osaka ←					
21-26	26-52	25-51	M 26-251	35-51	M 26-252
A009 and Room light Type A	A031 and Room light Type D	A031 and Room light Type D	A031 and Room light Type D	A031 and Room light Type D	A031 and Room light Type D
15-26	16-26	35-52	26-51	25-52	22-26
A031 and Room light Type D	A031 and Room light Type D	A031 and Room light Type D	A031 and Room light Type D	A031 and Room light Type D	A009 and Room light Type A
Tokyo →					

#### 4-2 About DCC Decoder Applicable model • All cars

By cutting a part of this product with nippers, it is possible to install the A059 DCC decoder (sold separately), which can be installed in various types of cars. For details, please refer to the instruction manual that comes with the product.

### 5. Trouble shooting

Check followings before ordering repair.

Problem	Cause	Correction
A train does not run smoothly, and lights flicker.	There is dirt on rails.	Remove the dirt with cleaner and cloth.
	There is dirt on wheels.	Remove the dirt with cleaner and wheels.
Trains do not run.	A train derails.	Set the train properly on track using rerailer.

### 6. Trouble and repair

- The user is responsible for any trouble, accident, or injury caused by misuse, disassembling, or modification of this product. Rokuhan will not repair a product which has been opened, taken apart, or modified.
- Specification and appearance of our products are subject to change without prior notice.
- We sell assembled product only.
- Contact Rokuhan customer service if you have any questions about this product.