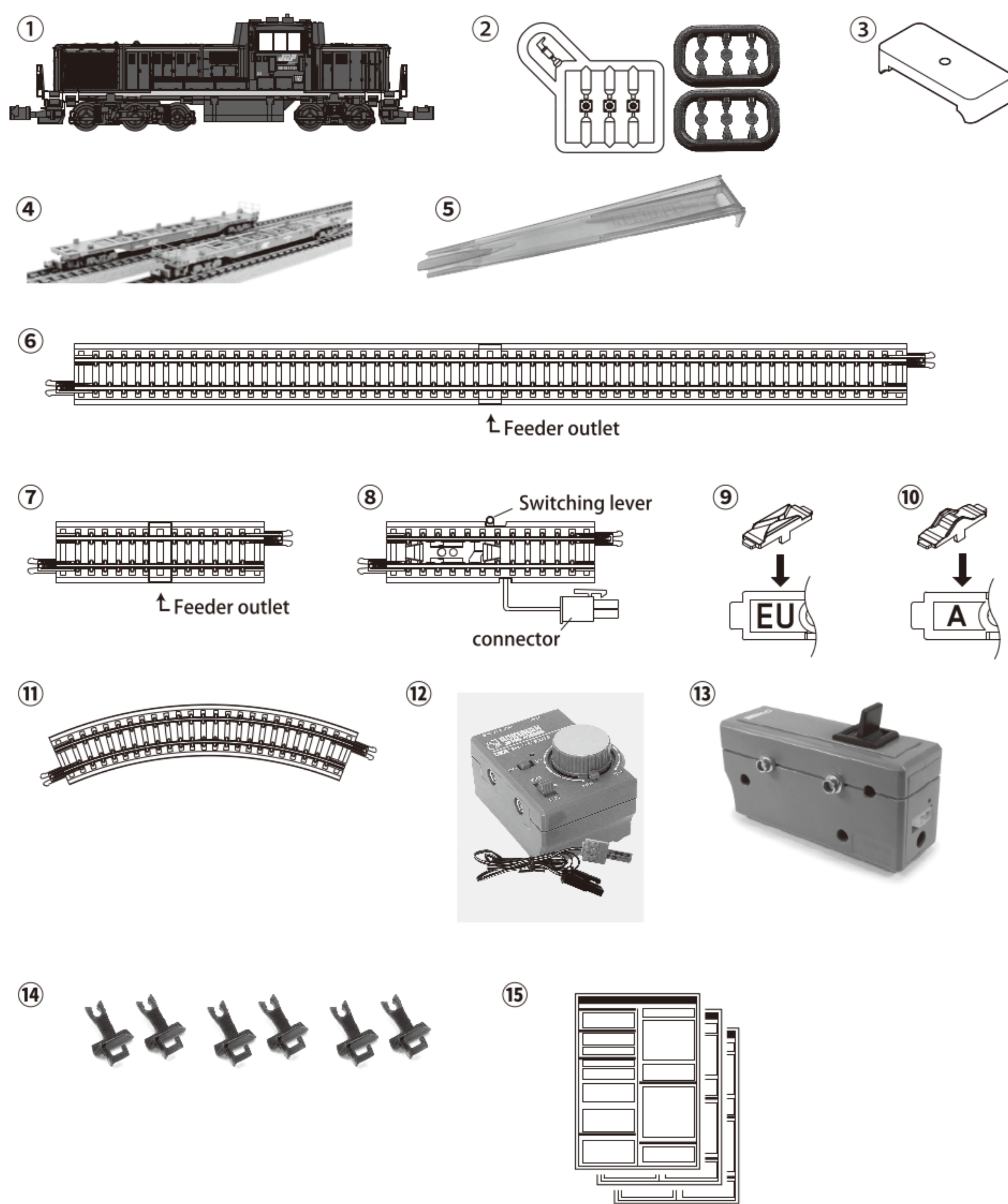


Thank you for purchasing this Rokuhan product.
This product is a precision train model. Please read this instruction manual carefully before operation.

Caution (Please Read Carefully)

- Please put rails in a flat place. And excessive force during attachment or detachment could cause damage to the joiner and rails.
- Please make sure rails are placed correctly before operation. Otherwise, trains could get derailed or damaged.

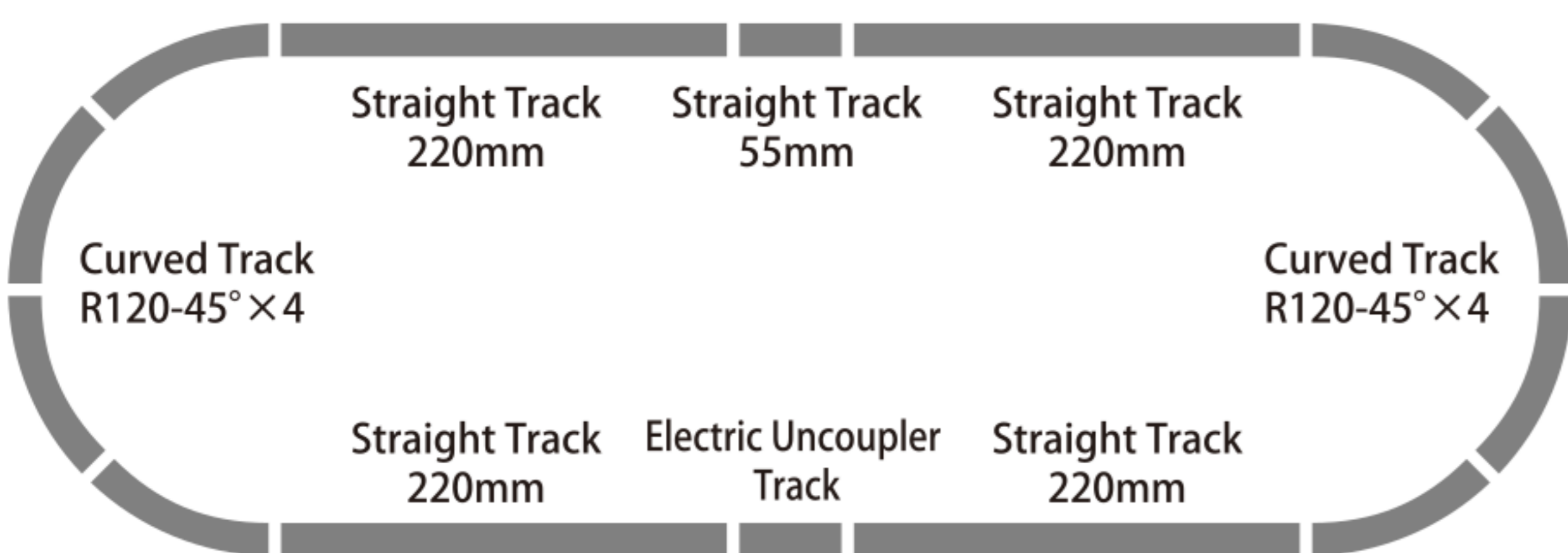
1 Let's check the contents of the set!



- ① Car 1pc
(Color for DE10 replacement only)
- ② Runner parts 3pcs
- ③ Runner parts Installation jig ... 1pc
- ④ KOKI106(Gray) 2pcs
- ⑤ Rerailer 1pc
- ⑥ Straight Track 220mm 4pcs
- ⑦ Straight Track 55mm 1pc
- ⑧ Electric Uncoupler Track 1pc
- ⑨ Uncoupler(For European couplers) 1pc
* Basically not used for this product
- ⑩ Uncoupler(For Arnold coupler) 1pc
- ⑪ Curved Track R120-45° 8pcs
- ⑫ RC-02 Train Controller 1pc
- ⑬ Point Turnout Switch C002 1pc
- ⑭ Arnold coupler for uncoupler only 6pcs
- ⑮ Instruction Manuals 4pcs
(This paper, RC-02, C002, for DE10 & KOKI 106 & uncoupler)

2 Let's connect the tracks!

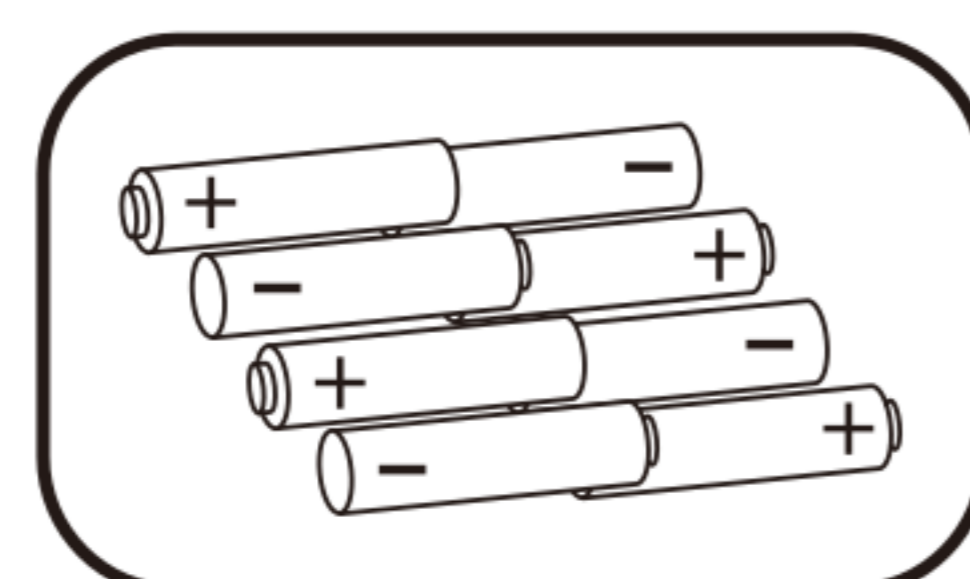
Be sure to assemble it on a flat surface, as shown in the figure below!
* Please connect the rails in a floating position.



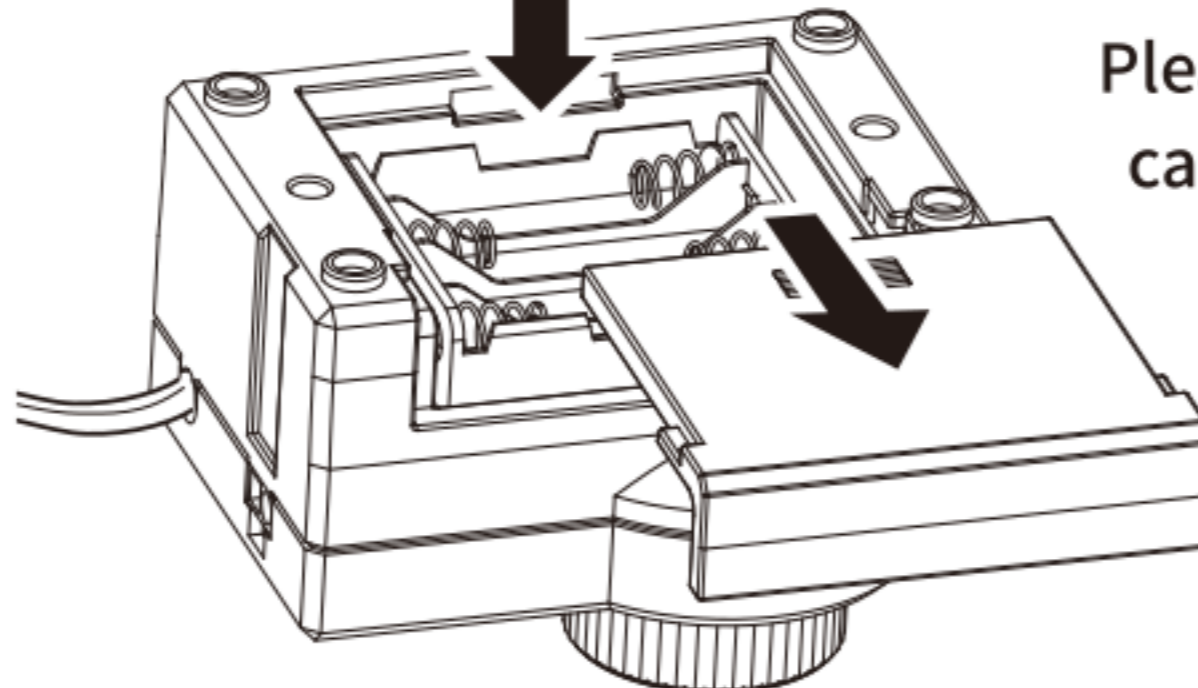
When connecting the rails, **push them on a flat surface, level and straight until they click into place.**



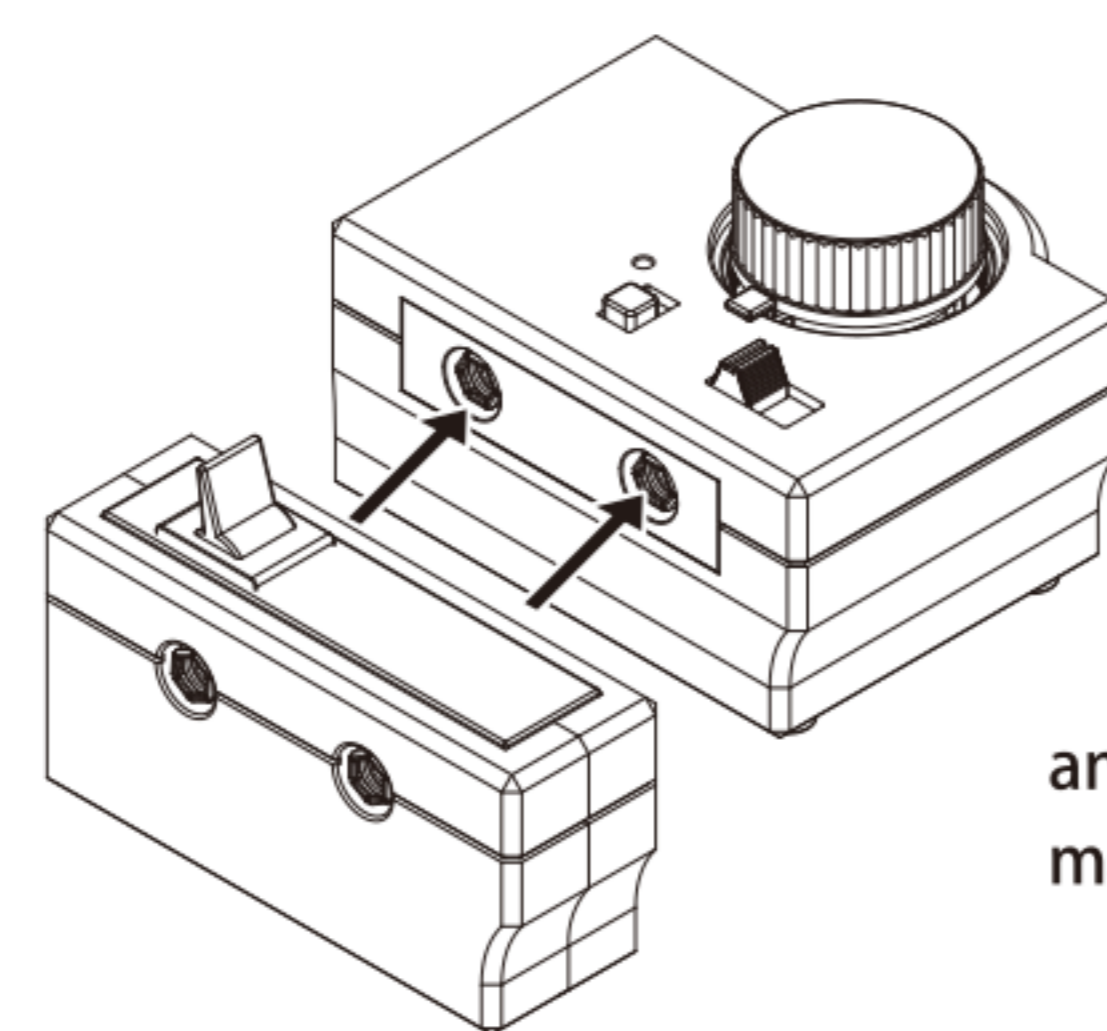
3 Let's set up the controller!



Please remove the train controller RC-02 included with this product from the package, read the RC-02 instruction manual, understand the operation method, and set up 8 AAA alkaline batteries (sold separately).



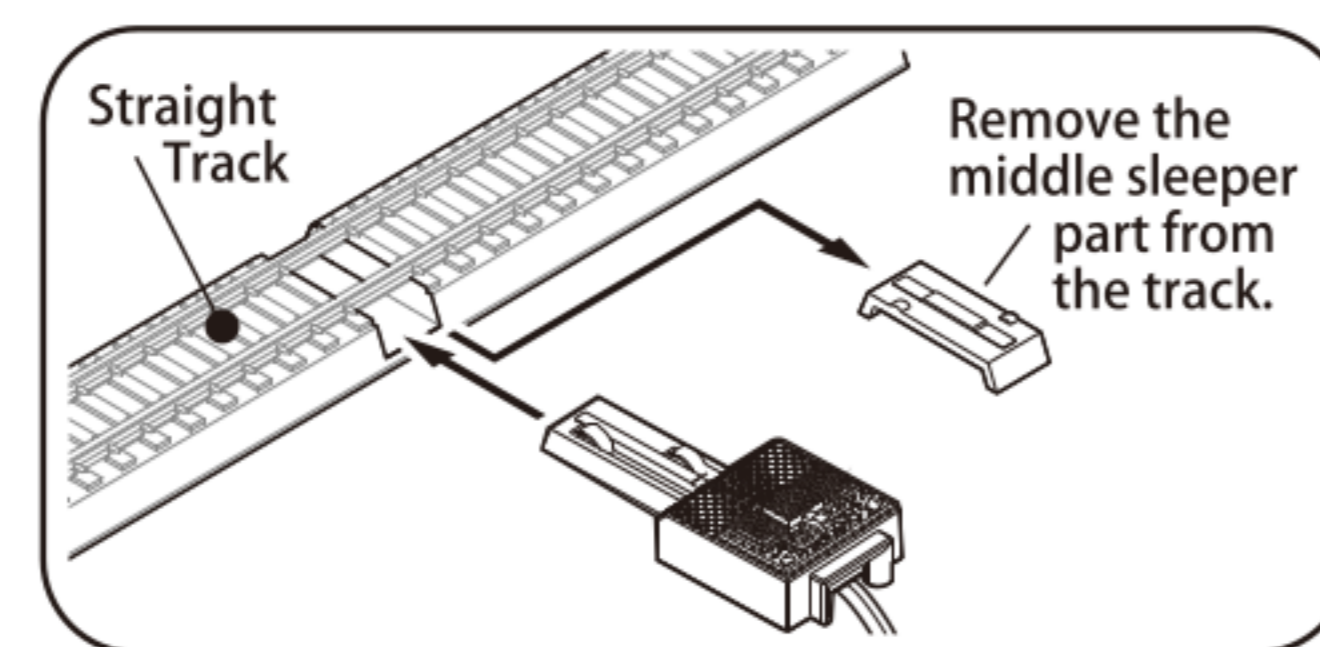
Please read the instruction manuals carefully for the train controller RC-02 and the C002 point changeover switch to master the operation!



Please read the instruction manuals carefully for the train controller RC-02 and the C002 point changeover switch to master the operation!

4 Let's connect the tracks and the controller!

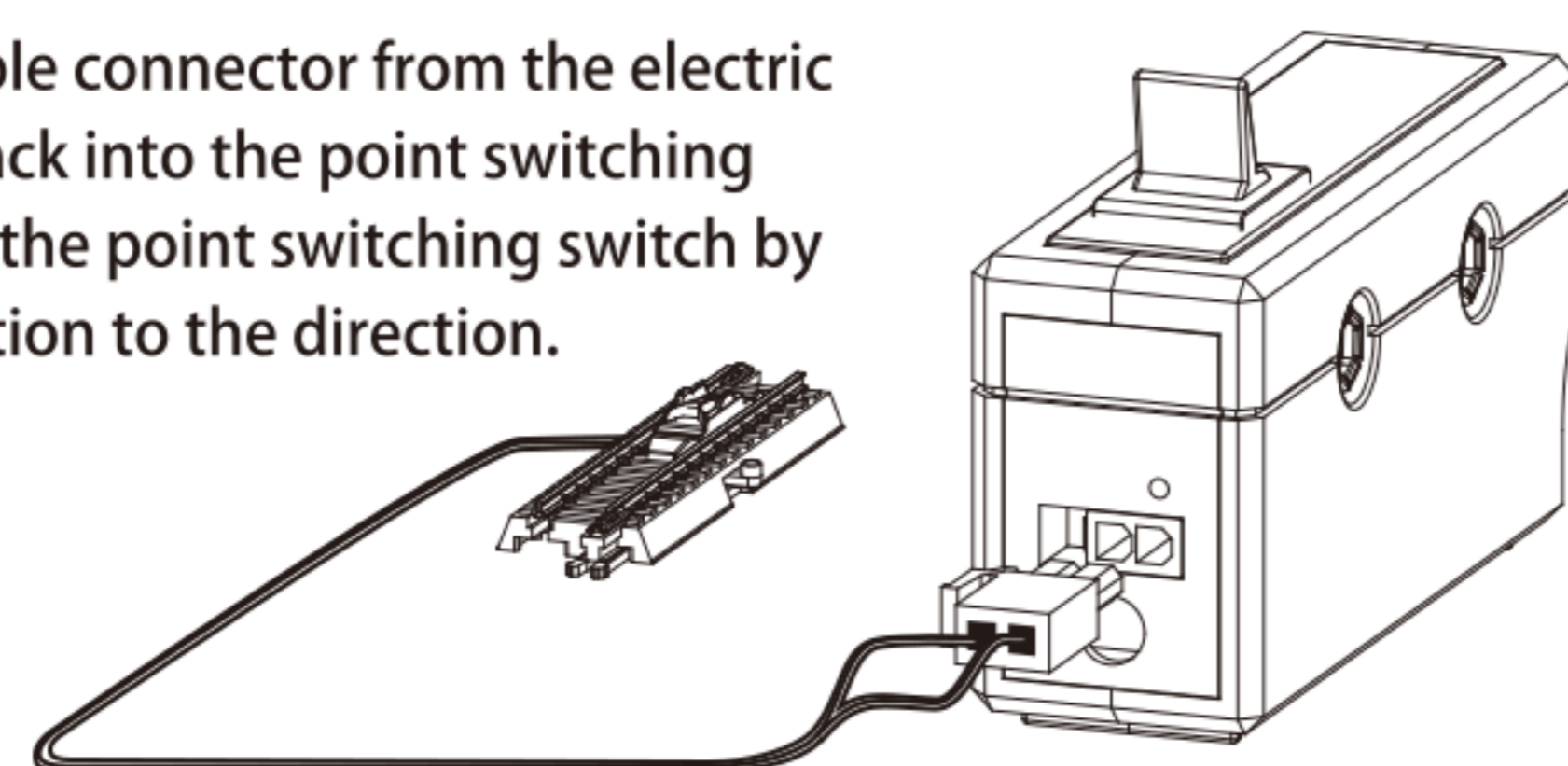
<About Feeder outlet>



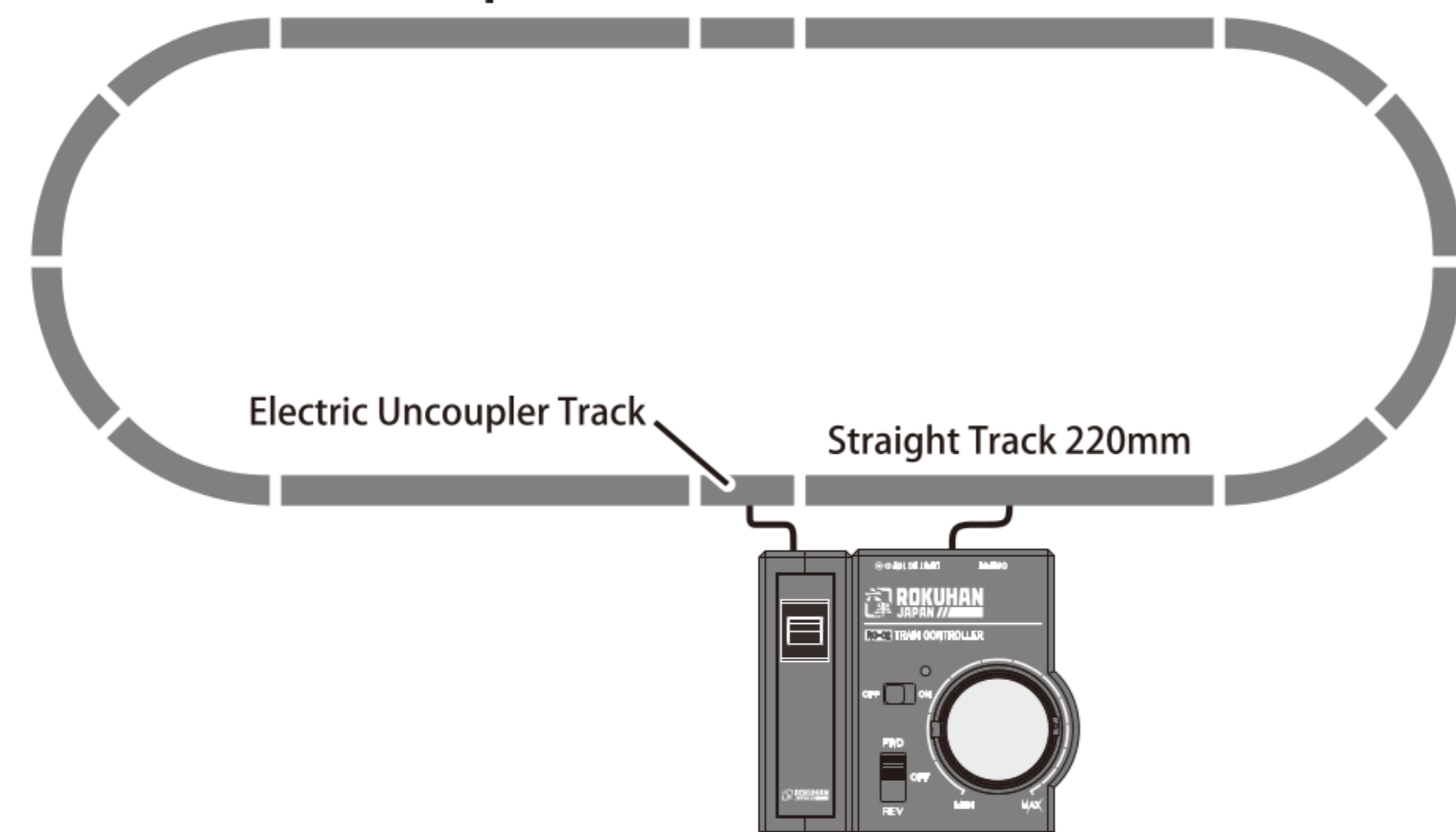
Feeder is in the center of the straight track (220mm straight track). Please slide out the middle tie part from roadbed and push Feeder plug of RC-02 Train Controller into Feeder its root.
(There is also a feeder slot in the center of the 55mm straight track)

<Regarding the connection of the C002 to the electric uncoupler track>

Insert the cable connector from the electric uncoupler track into the point switching connector of the point switching switch by paying attention to the direction.



<Connection example>



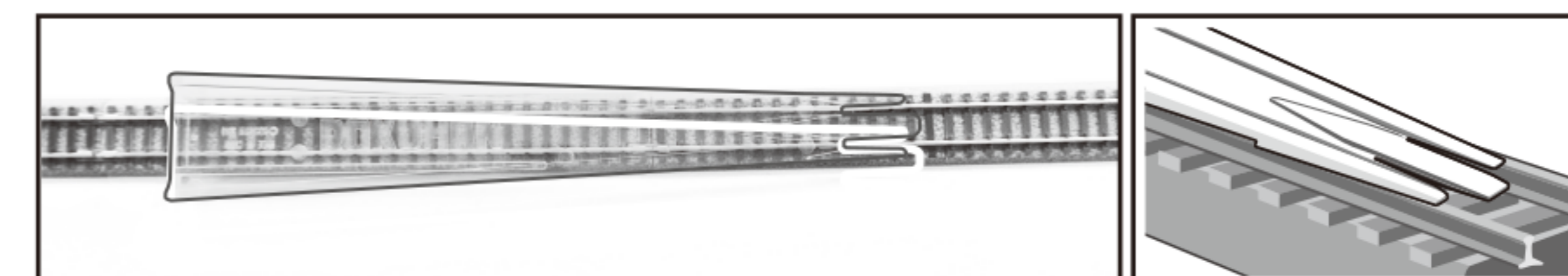
5 Let's prepare the cars!

Please carefully read the car instruction manual included with this product and install the parts.

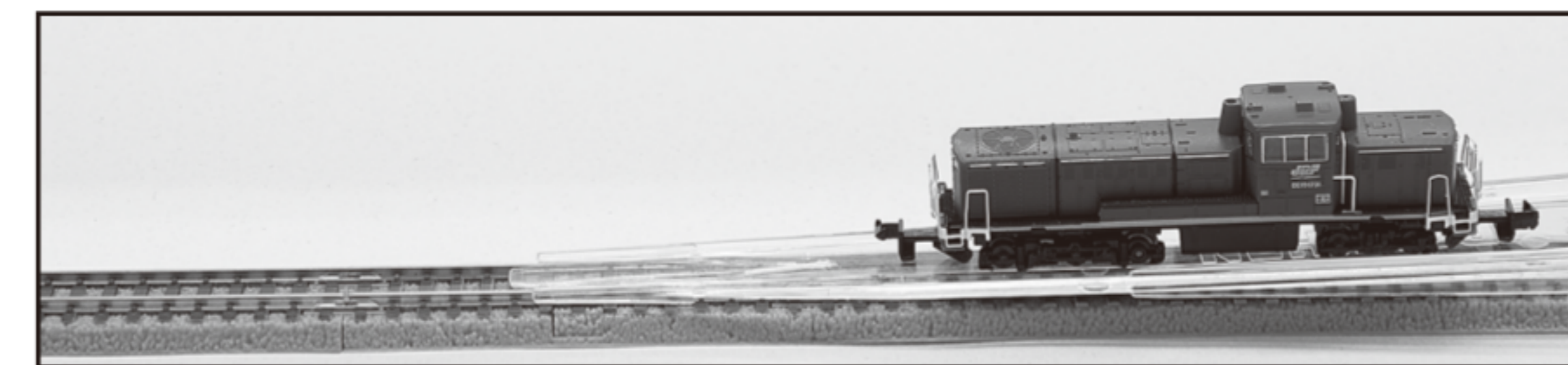


6 Let's put the car on the tracks!

① Place the relayer on the 110 mm straight track, as shown in the figure below.



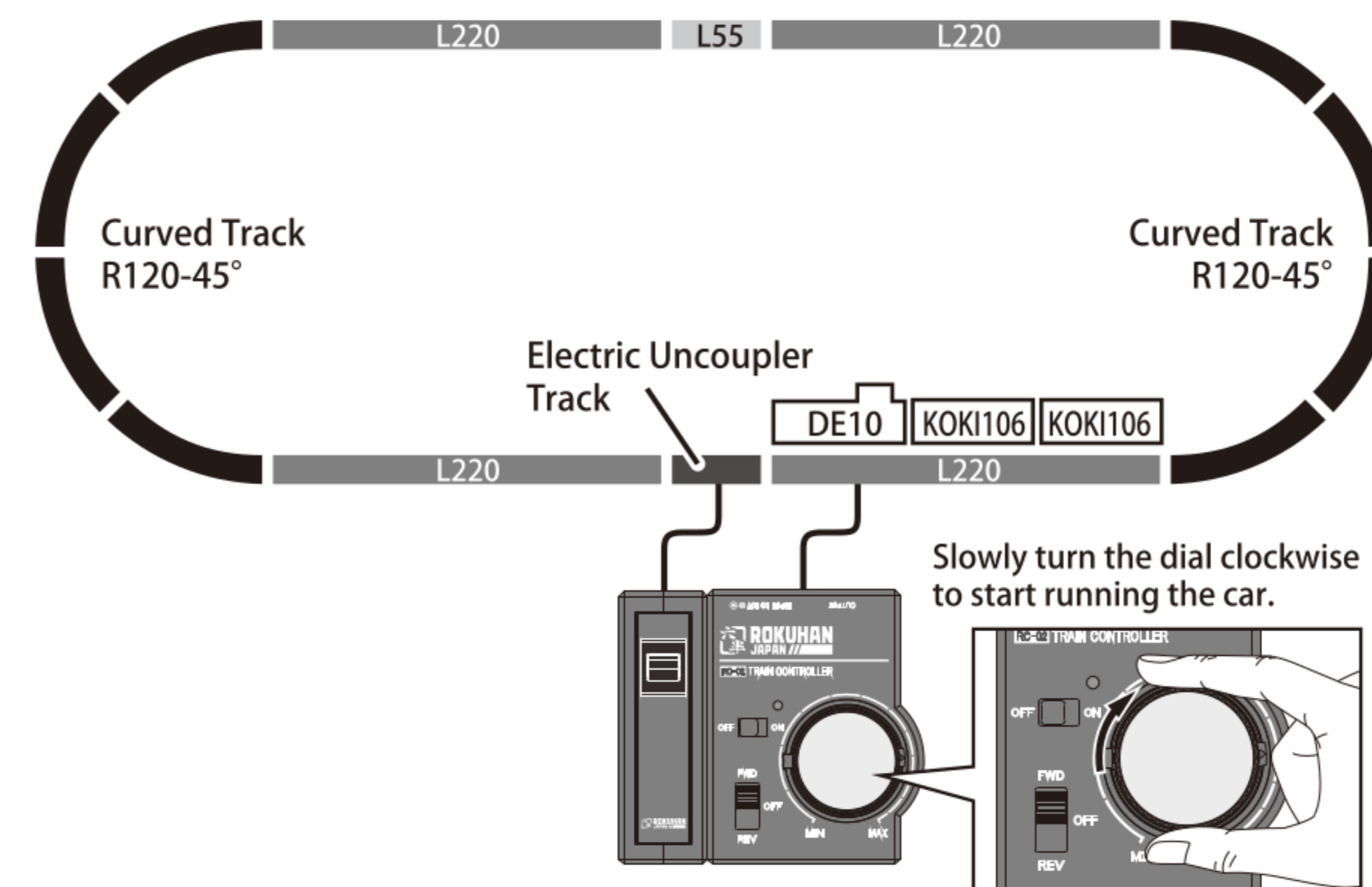
② Place the car in the recesses of the relayer and place it on the track, sliding it slowly with your fingertips.



After loading, check that all wheels are on the tracks correctly.

7 Let's make a run!

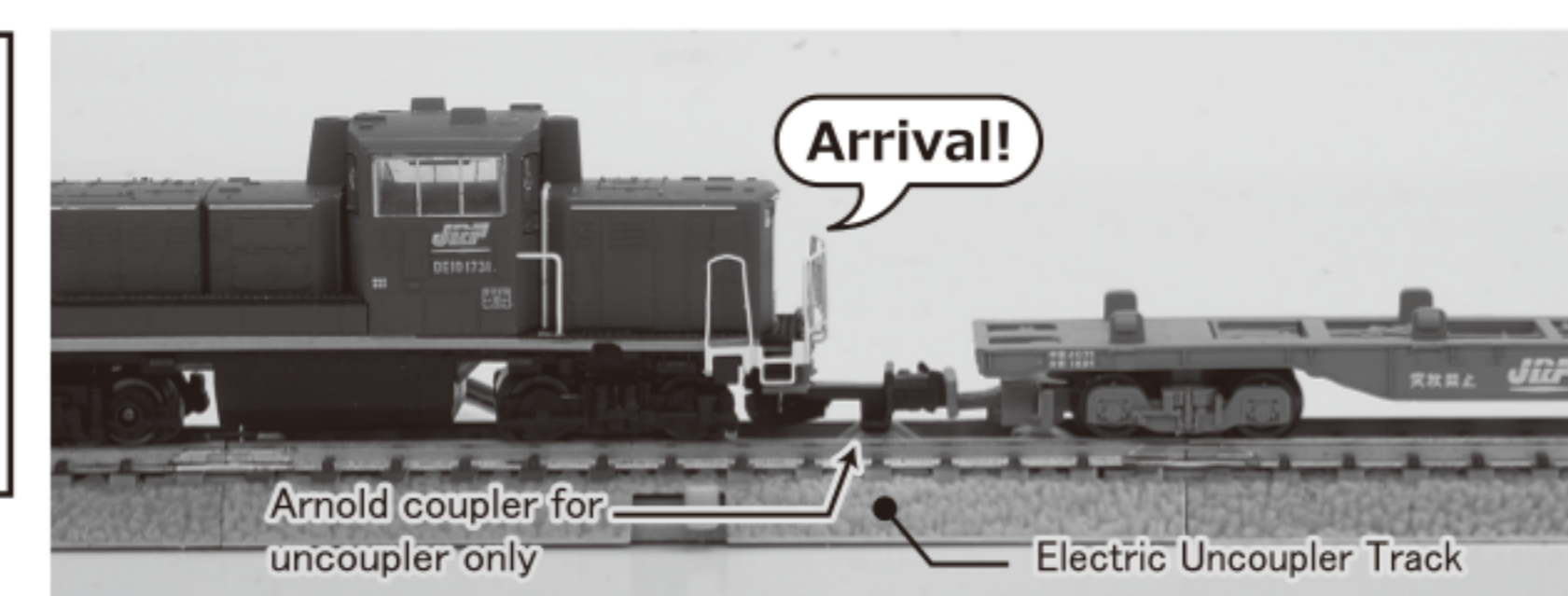
With the help of a relayer, set all the cars on the layout.



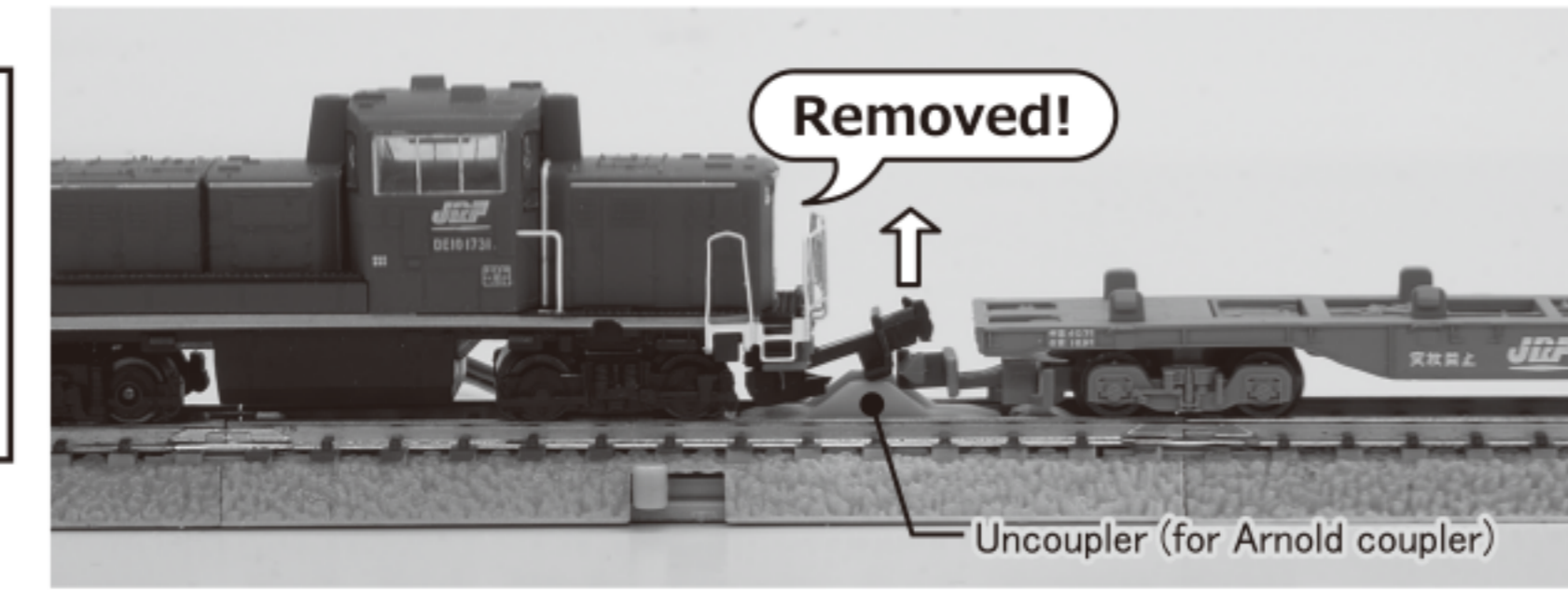
8 Let's detach the freight car!

Enjoy the detachment of DE10 and KOKI106 by using electric uncoupler track.
* The DE10 coupler must be replaced with the included uncoupler-specific Arnold coupler. (Please check the DE10 & KOKI 106 & Uncoupler instruction manual for details.)

First, control the power car, so the protrusion at the bottom of the coupler you want to remove is directly above the uncoupler tracks.



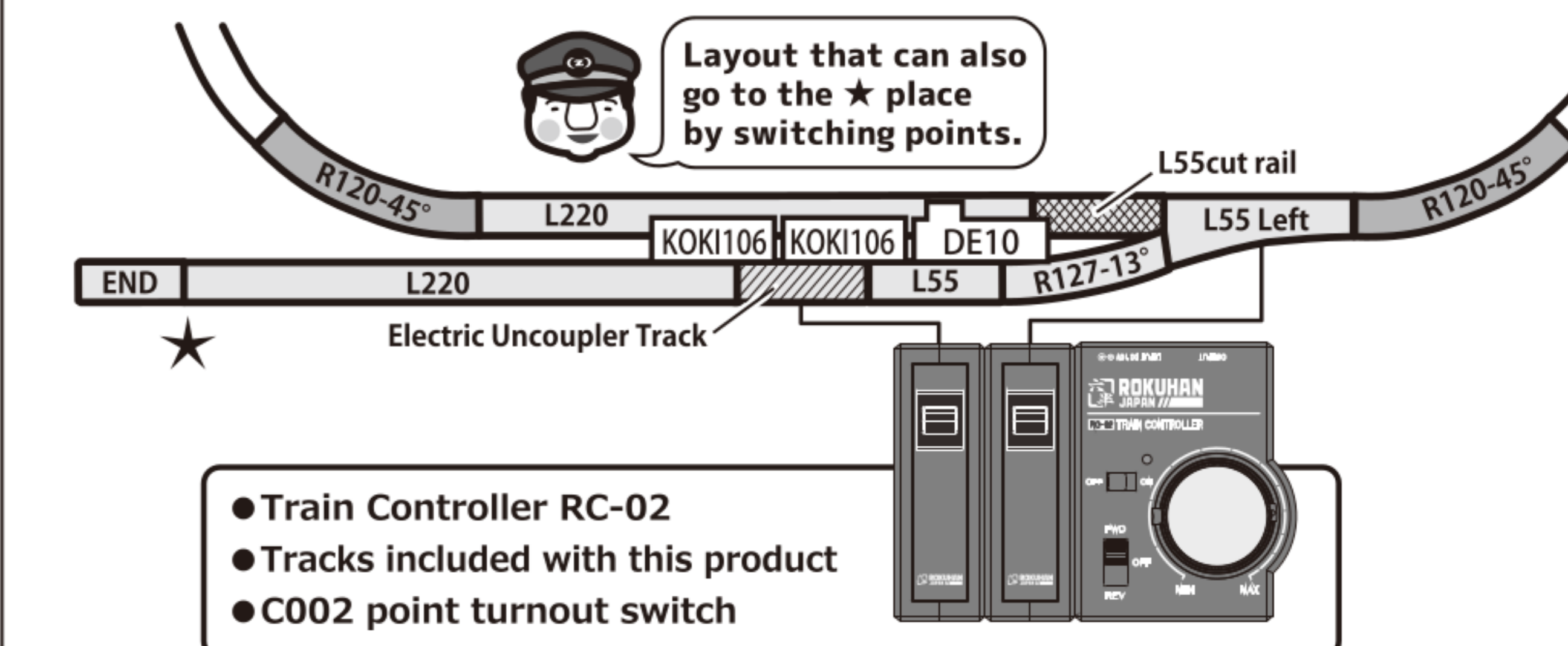
After stopping the car, move the uncoupler with the point changeover switch and confirm that the coupler has lifted.



Turn the dial on the controller and move the DE10 slowly.



Adding optional tracks (sold separately) and a point-switching switch further expands the playability. As shown in the figure below, adding rails allows you to separate DE10 and KOKI106 in the yard.



- Train Controller RC-02
- Tracks included with this product
- C002 point turnout switch

+ <Example> (sold separately) * Some parts may be left over.

- R009 Straight Track 220mm×1set
- R019 Curved Track R127-26°×1set
- R024 Straight Track 55mm×1set
- R013 Bumper Track×1set
- R022 Point rail Left branch×1set
- C002 point turnout switch×1pc

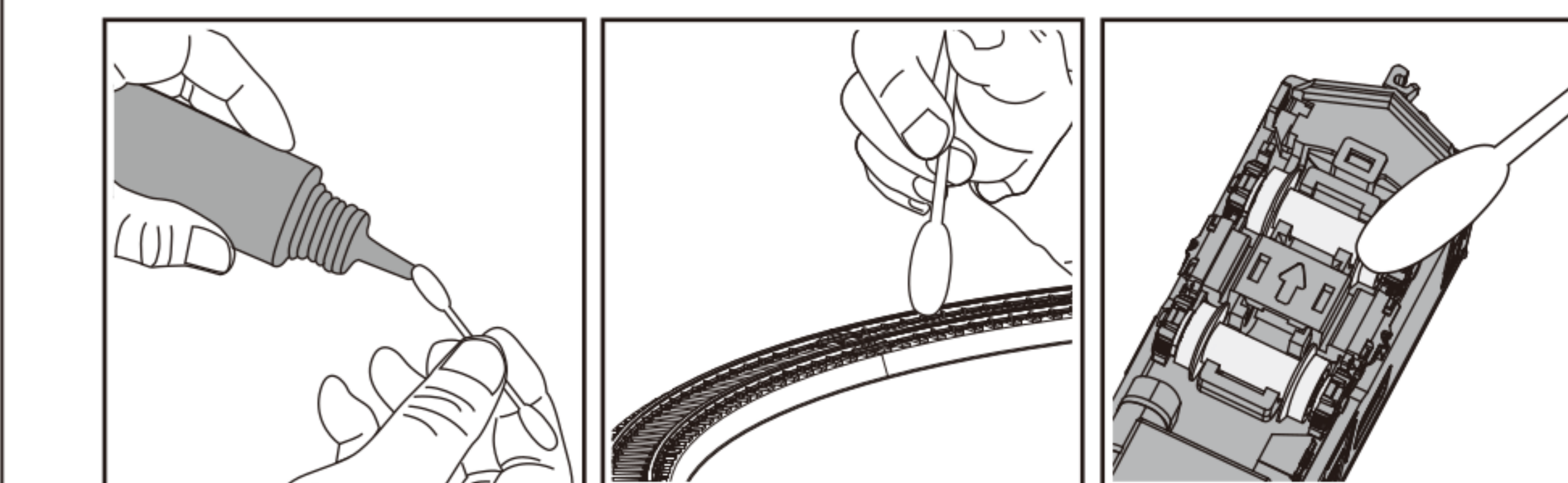
9 Secret technique!

KOKI 106 can be equipped with various containers (sold separately) from Rokuhan. Load your favorite container and enjoy.



10 Let's clean!

Before and after running the car, apply model railroad cleaner to a cotton swab or a fine cloth. Let it soak in and clean tracks and car wheels. If cleaning is not performed regularly, it may cause malfunction.



11 Troubleshooting

Check the following information before requesting repair or service.

Problem	Cause	Correction
A train does not run smoothly.	Tracks might be dirty.	Apply a small amount of commercially available rail cleaner to a cloth to remove dust and dirt from the tracks.
	The wheels might be dirty.	Apply a small amount of commercial rail cleaner to a cloth to remove dust and dirt from the wheels.
A train does not work.	The car might be derailed (especially the motor car)	Use the rerailer to place the car on the tracks properly.

12 Trouble and repair

- We are not responsible for any accident, injury, or failure caused by incorrect usage, handling, modification, or disassembly. In addition, we cannot accept repairs for products that have been modified or disassembled by users.
- Product specification and appearance are subject to change without prior notice.
- Available only completed products, not sold part by part.
- Please contact Rokuhan customer service, if you have any questions about this product.

ROKUHAN JAPAN
TOYTEC CORPORATION
7-27, NUMAWADA, TOCHIGI-CITY, 328-0042, JAPAN.
TEL : 81-282-20-2365 URL : <http://www.rokuhan.com/>
Opening hour: 10:00 - 12:00, 13:00 - 17:00 (except Saturday, Sunday, and holidays)