

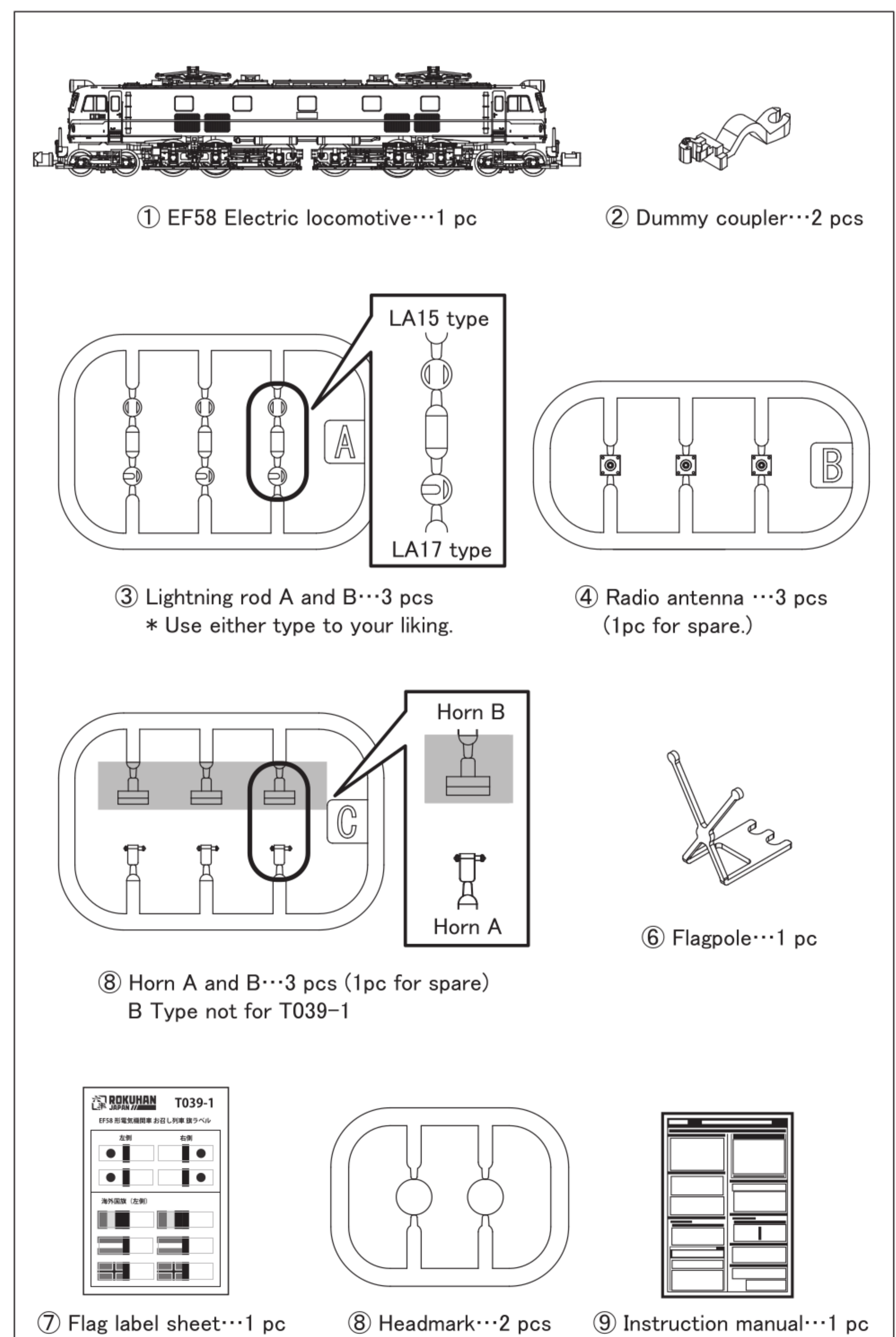
Side cutters, modeling knife, tweezers and pin vise (drill bit) are NOT included with this product.

Thank you for purchasing this Rokuhan product. This is a precision train model, so please handle carefully. Please read this instruction manual carefully before you operate.

1. Caution

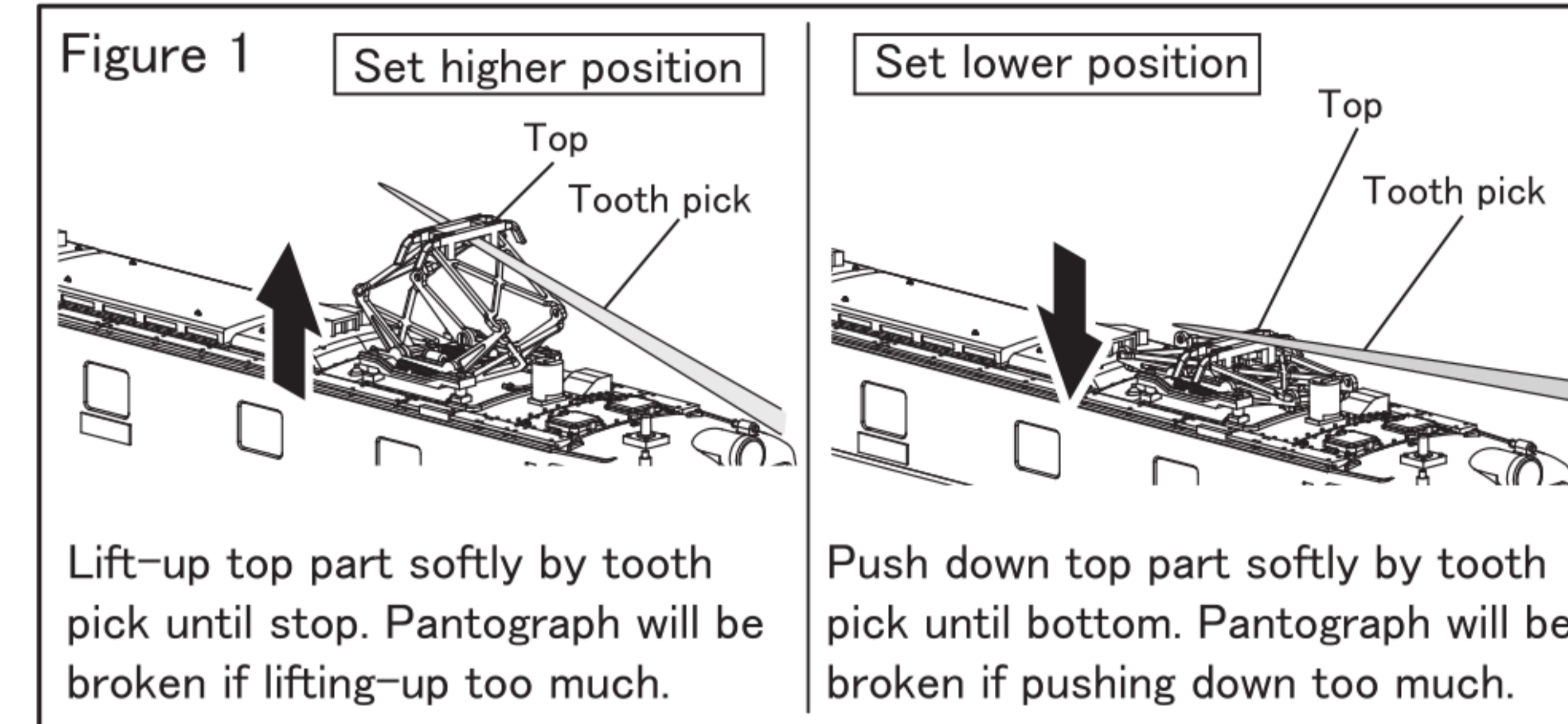
- Use only a Rokuhan controller to operate this product.
- Clean track surface (Metal rails) before operation.
- Remove dirt and dust on wheels.
- Do NOT operate continuously over a long period of time.
- Do NOT suddenly change train direction. Stop train first then change direction.
- In the case of derailment or short circuit, power off controller switch, unplug the AC adapter, and then eliminate the cause of problem.
- Disassembling and modification could cause failure of this product.
- Storing this product in direct sunlight or fluorescent light for a long time could cause change in color.
- Store and operate this product in dust free locations, away from sources of heat and moisture.
- To avoid shock or electrocution, do not operate this product in a wet location or operate with wet hands.
- This product includes sharp edge parts. Handle with care.
- Handle tools with care.
- This product is NOT recommended for use by children under 15 years old unless supervised by an adult.

2. Parts List



3. How to set pantograph height

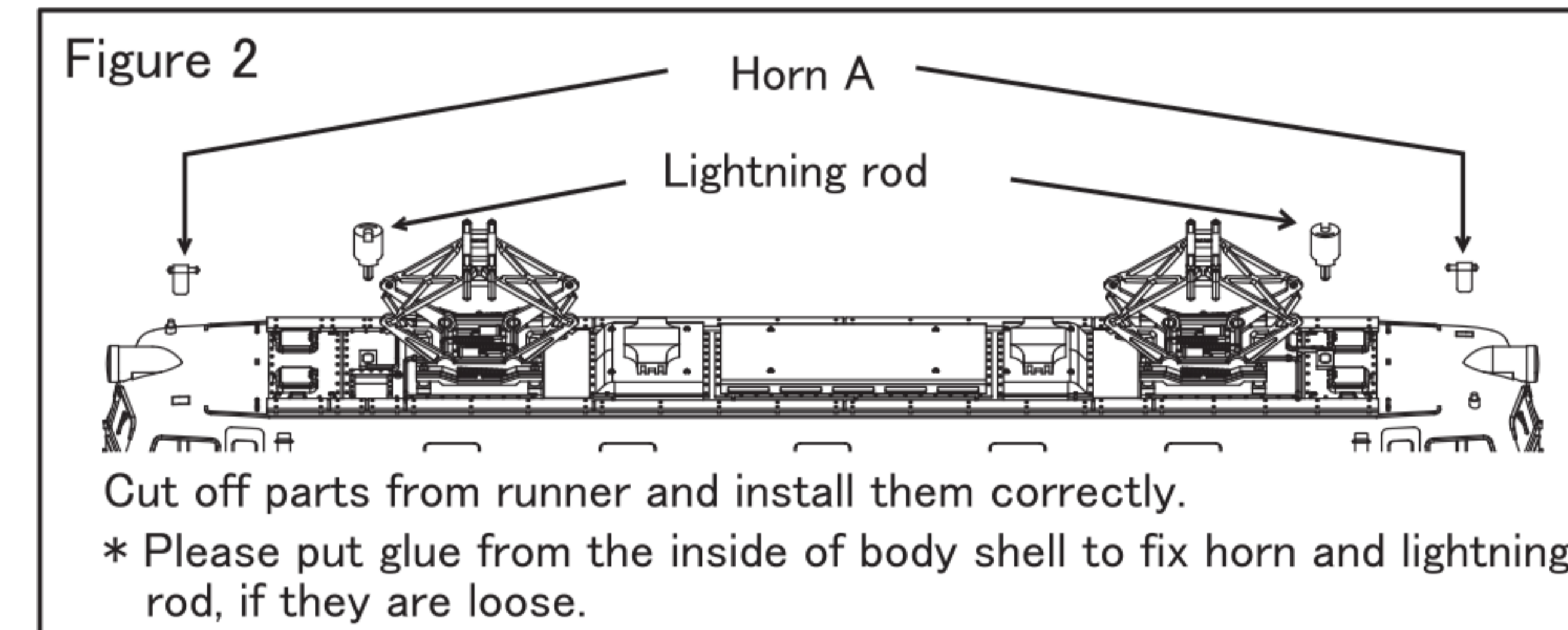
Please use tooth pick or similar tool (See Figure1).



4. How to install the accessory parts

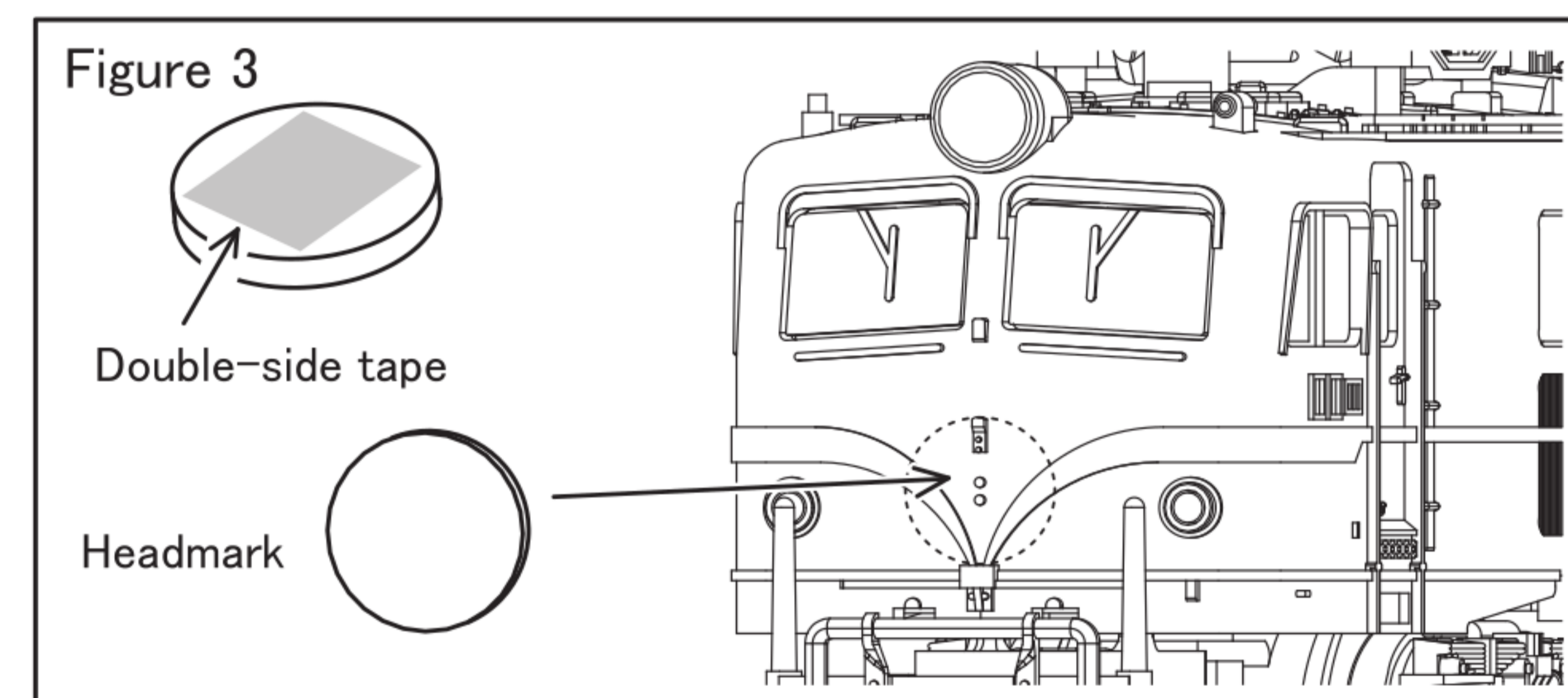
4-1 How to install Lightning rod and horn

Please set lightning rod and horn in place (See Figure 2).



4-2 How to set Headmark

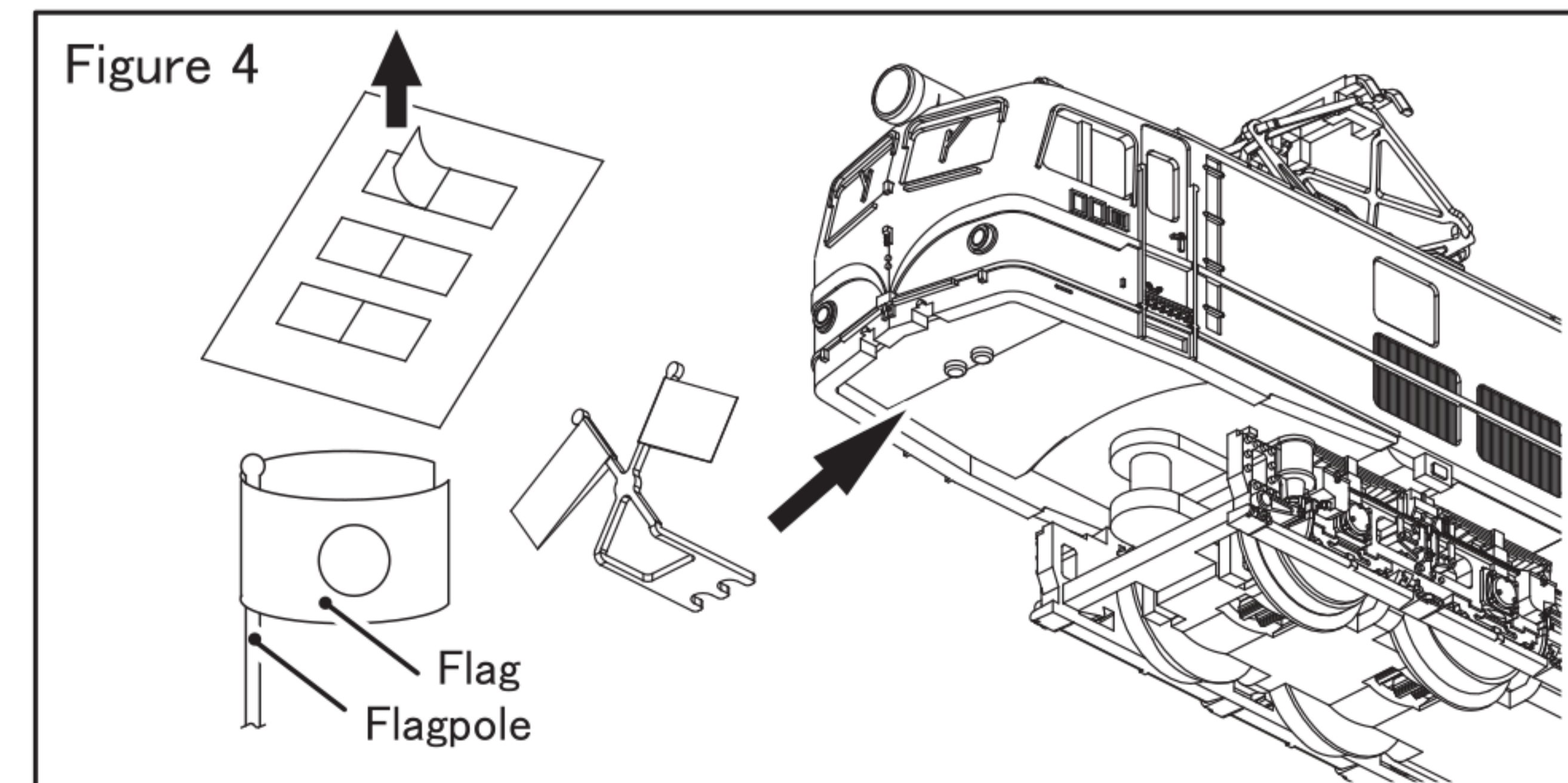
Please take out headmark from runner with tool (See Figure 3). Next, put double-side tape on headmark. Then, put it on the body shell in place as shown.



4-3 How to assemble Flag and its pole

Attach your favorite flag label to the pole, attach double-sided tape to the adhesive surface of the flag parts, and attach it according to the protrusion on the bottom of the car body, referring to Figure 4.

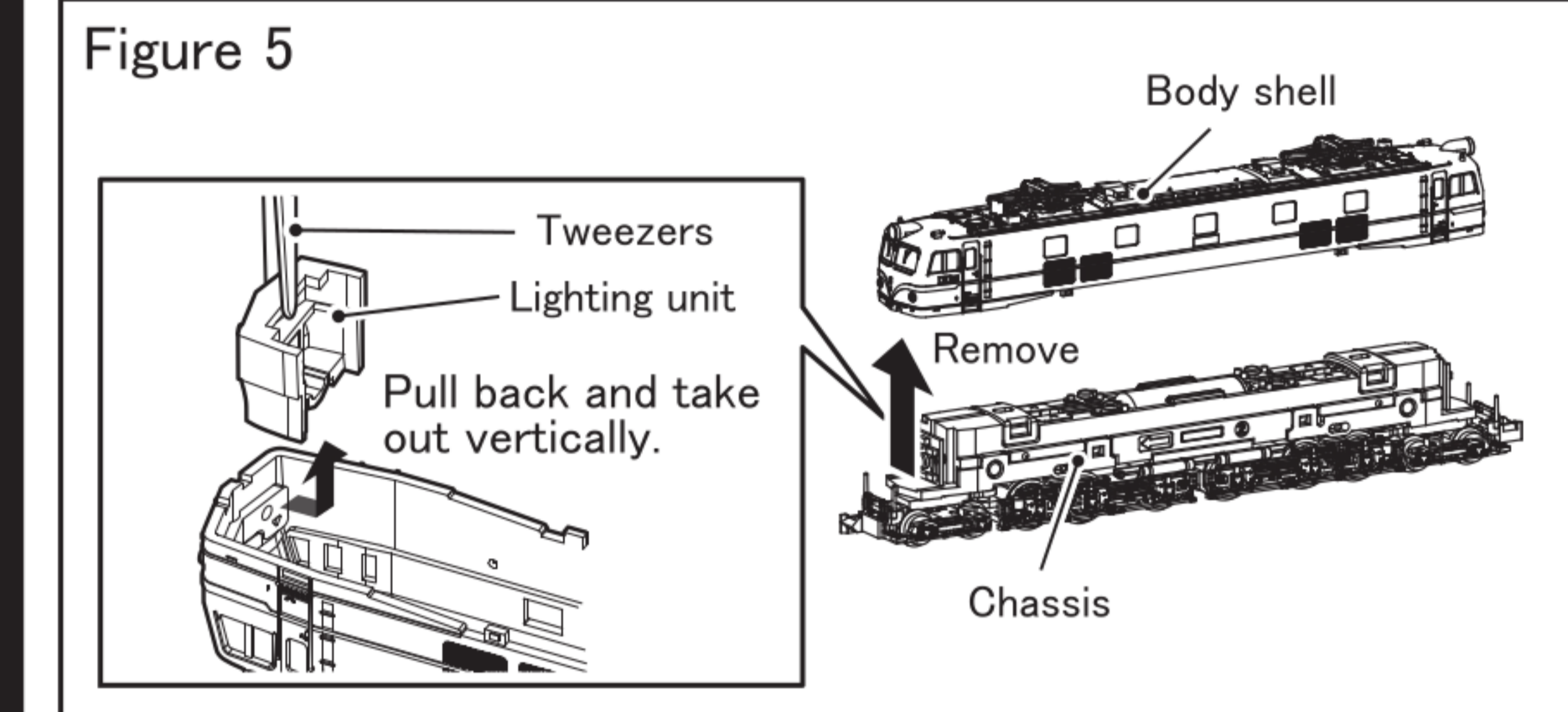
Easy to install by removing the Leading wheel bogey, referring to the explanation in Figure 5.



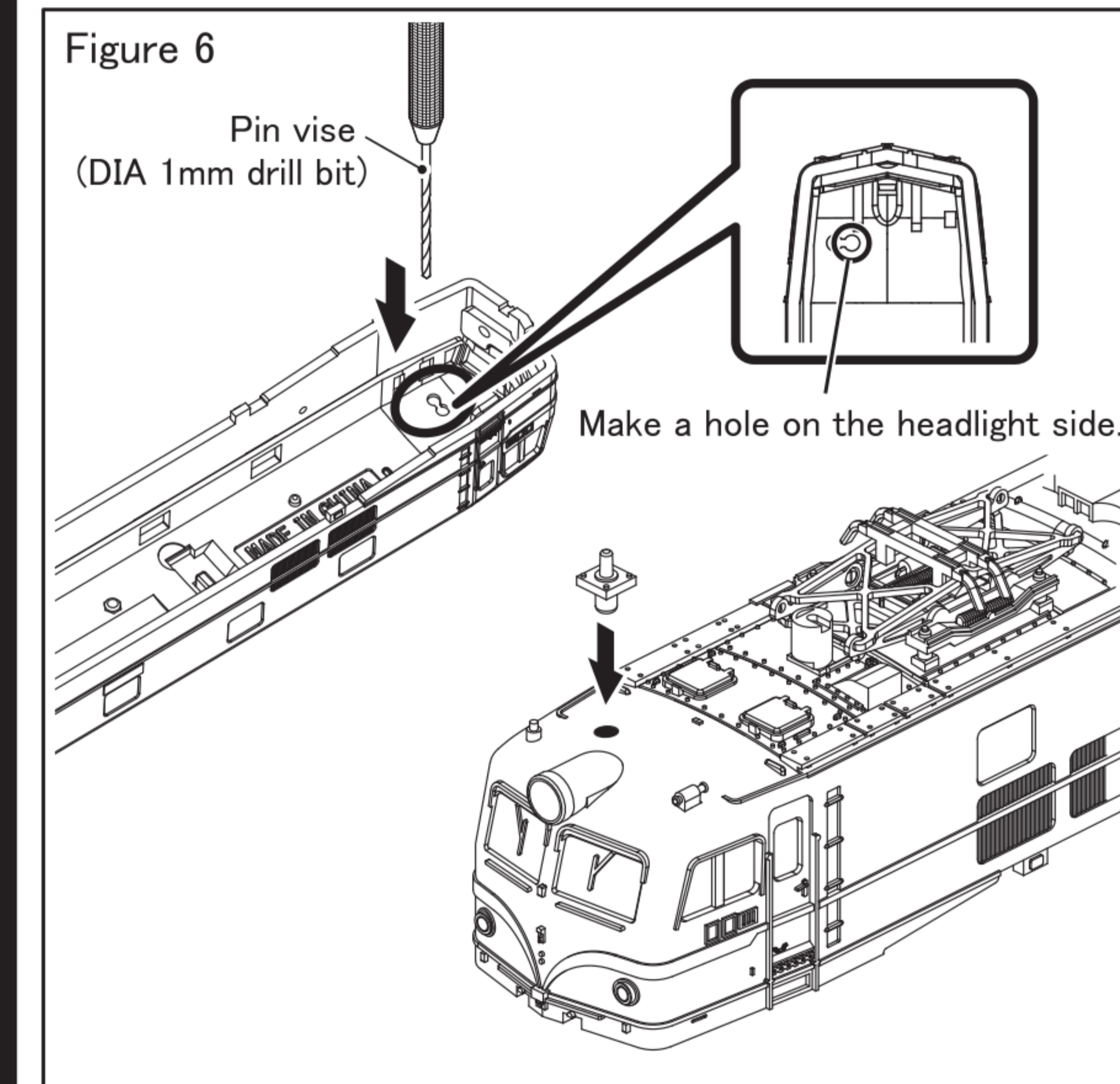
4-4 How to install Radio antenna (Recommended for advanced modeler)

- Required high skill for this process. Please proceed it carefully.
 - Use pin vise (DIA 1mm drill bit) to make small hole in the body shell.
 - Please pay attention to handle with sharp tools and plastic parts.
- * To install this part, you need to drill a hole with a Φ 1mm drill.

(1) Remove Head Lighting unit from chassis then remove body shell chassis first. And, slightly expand body over pull back and take out Head lighting unit vertically.
(* Please pay attention during this disassembly process, otherwise break headlight parts.)



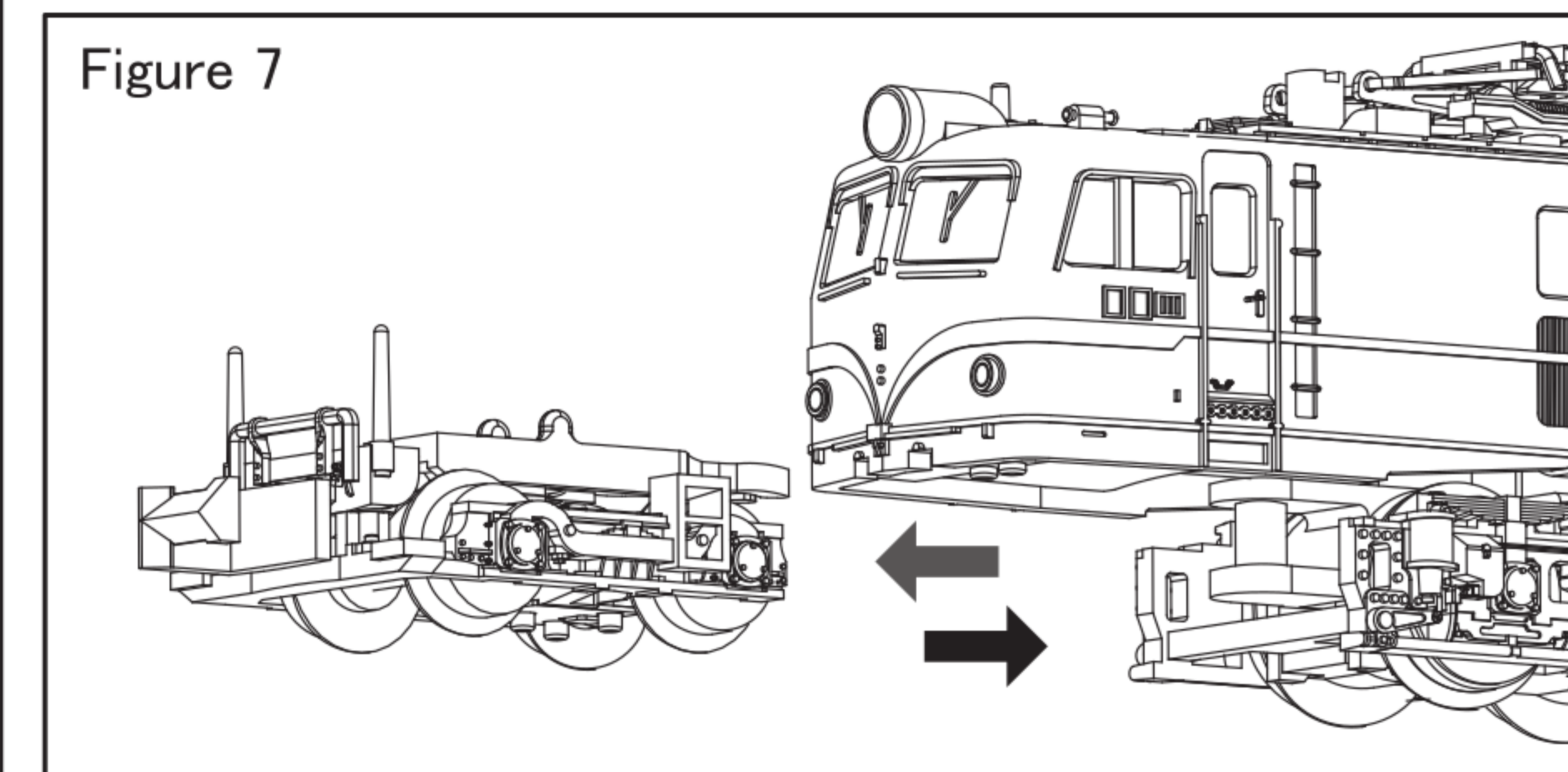
(2) Drill a hole with a Φ 1 mm drill along the guide hole inside the body. This model mounts the wireless antenna in the hole position near the headlight (same for the front and back of the body).



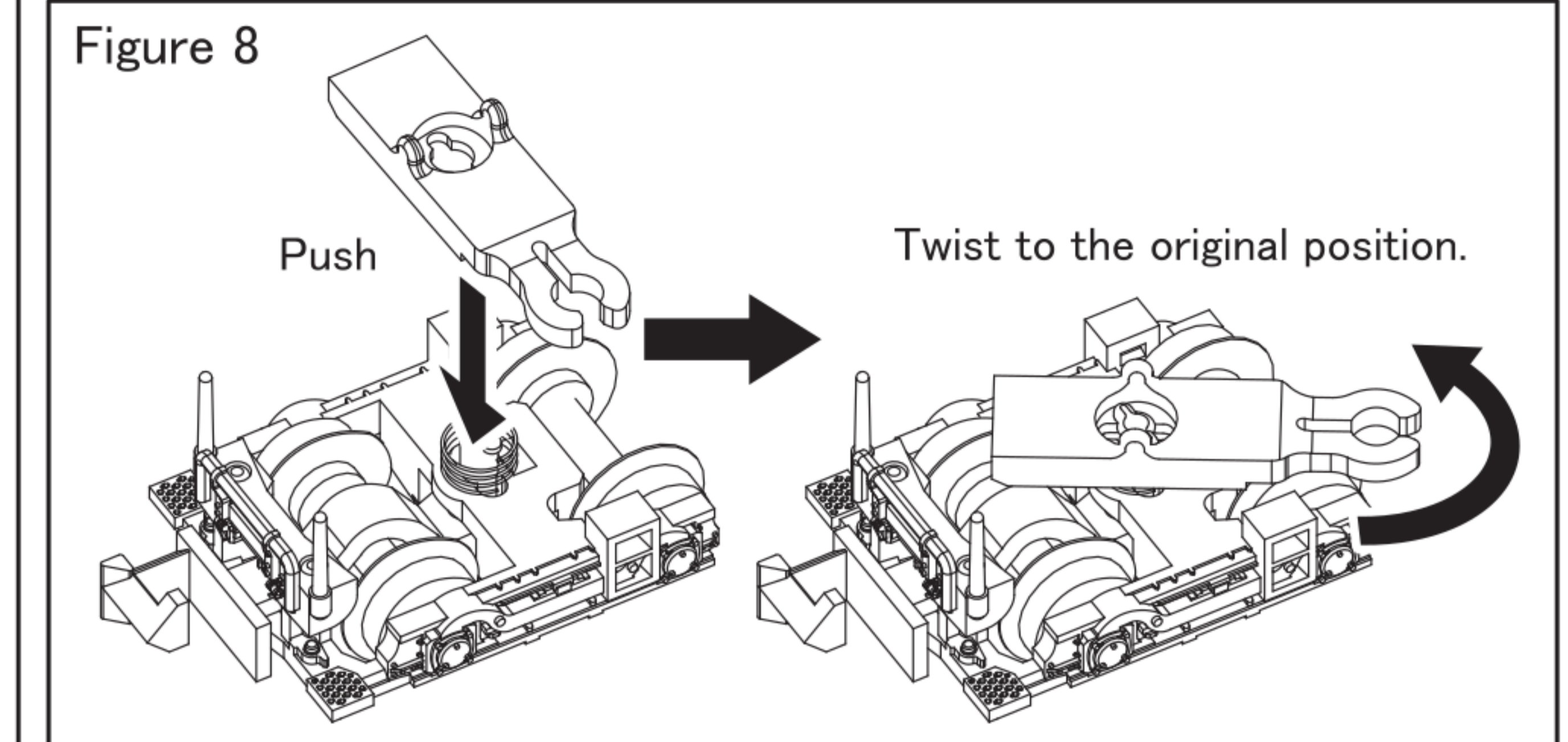
3. Assemble the body in the reverse order of step (1).

5. How to install and remove the front wheel bogey

You can pull out the leading wheel bogey by referring to Figure 7. Reassemble the main body in the reverse procedure. Be careful of parts coming off.



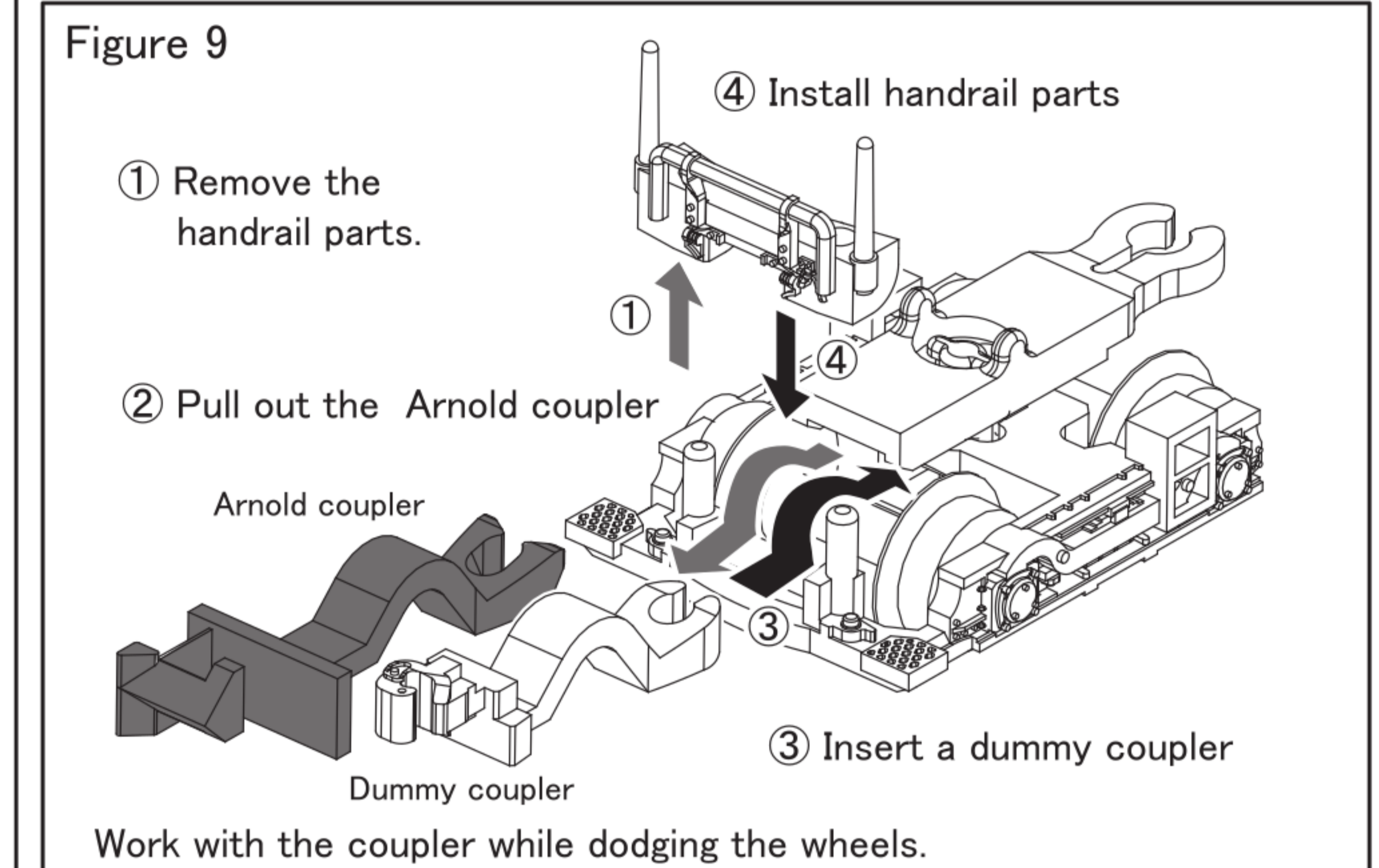
If the part comes off, bend it 90 degrees and push it in from above to return it to its original position, referring to Figure 8. Please pay attention NOT to lost the spring.



6. How to install Dummy coupler

At the time of shipment, an Arnold coupler for EF58 is installed. You can attach a dummy coupler that looks like a real car to your liking (See Figure 9).

* Various couplers sold separately cannot be used with the EF58.



7. Maintenance

- If this product does not work, make sure feeder cable and power are plugged in a place properly, then the positions of main switch and direction selector on controller should be checked. Also please make sure batteries for controller are set in place if using without AC adapter.
- The metal wheels and tracks may be dirty if this product does not run smoothly. Please remove the dirt on the metal wheels and tracks with a clean cloth and rail cleaner.
* Do NOT put excessive power on the wheels when cleaning them up.
- This product is precision model. Please pay attention. To avoid damaging engine, do, drop or put excessive pressure, on it. Handle it with care.

8. Trouble and repair

- Any trouble, accident, or injury caused by misuse, disassembling and modification of this product are not responsibility of Rokuhan. And Rokuhan does NOT accept repair requests of any products which have been disassembling or modified.
- Product specification and appearance are subject to change without prior notice.
- Available only as completed product.
- Contact Rokuhan customer service if you have any questions about this product.