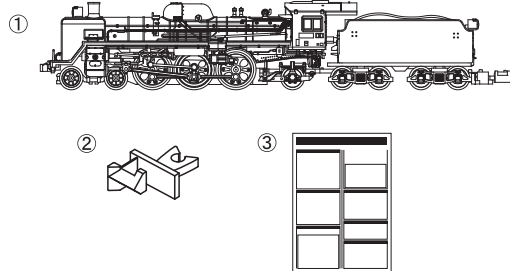


Thank you for purchasing this Rokuhan product.
This product is precise. Please read this instruction manual carefully before operation and operate properly.

1. Caution

- Use only a Rokuhan controller to operate this product.
- Clean track (Metal rails) before operation.
- Remove dirt and dust on wheels.
- Do not operate continuously over a long period of time.
- Do not suddenly change train direction. Stop train first then change direction.
- In this case of derailment or short circuit, turn off the power of controller, unplug the controller, and then eliminate the cause of the problem.
- Disassembling and modification could cause failure of this product.
- Storing this product in direct sunlight or flurescent light for long time could cause change in color.
- Store and operate this product in dry dust free locations, away from sources of excessive heat.
- To avoid shock or electrocution, do not operate this product in a wet location or operate with wet hands.
- This product includes sharp parts. Handle with care.
- Handle tools with care.
- This product is not recommended for use by children under 8 years old unless supervised by an adult.

2. Parts list

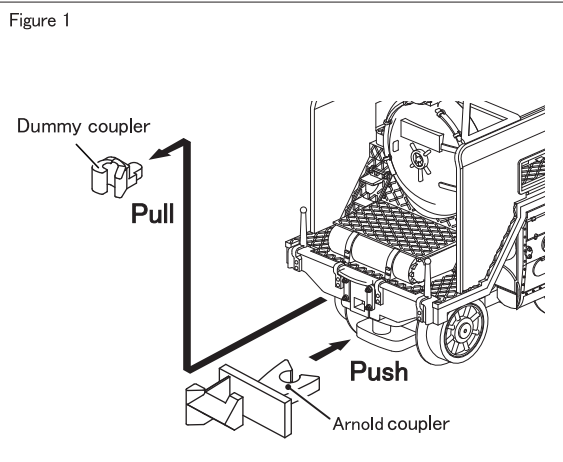


- | | |
|------------------------------|-----|
| ① C57 Steam locomotive | 1pc |
| ② Arnold coupler | 1pc |
| ③ Instruction manual | 1pc |

3. How to exchange Coupler

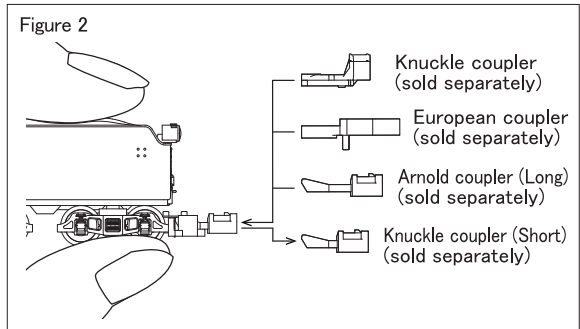
3-1 Front coupler

Dummy coupler is preset as default and can be replaced with Arnold coupler. Remove dummy coupler from body, then put Arnold coupler (See figure 1).



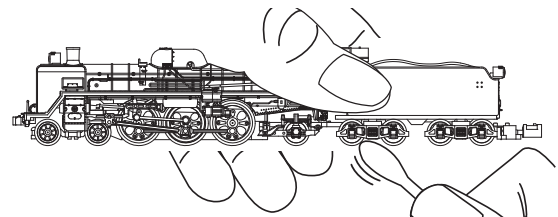
3-2 Rear coupler

Arnold coupler (short) is preset as default and can be replaced with Rokuhan couplers according to the condition of layout and type of pulling cars (See figure 2).



4. How to clean up wheels

Please use rail cleaner with clean cloth or cotton applicator for remove dirt and dust on the wheels.



* The wheels have no free turn. So please make run a little on the rail by power then clean up whole wheel.

5. Maintenance

- If C57 Steam locomotive does not run, check feeder cable and power are plugged in correctly, the position of main switch and direction switch on controller.
Also check batteries are set correctly in controller if batteries are used as power.
- The wheels and track may be dirty if C57 Steam locomotive does not run smoothly. Remove the dirt on the wheels and track with a clean cloth and rail cleaner.
- * Do not put excessive power on the wheels when cleaning up.
- Please pay attention not to break or lose small parts when doing maintenance.

6. Trouble and repair

- The user is responsible for any trouble, accident, or injury caused by misuse, disassembling or modification to this product. Rokuhan will not repair a product which has been opened, taken apart, or modified.
- Specification and appearance of our products are subject to change without prior notice.
- We sell assembled product only.
- Contact Rokuhan customer service if you have any query.