

\* Nipper for plastic as well as tweezers are required to assemble accessory parts.

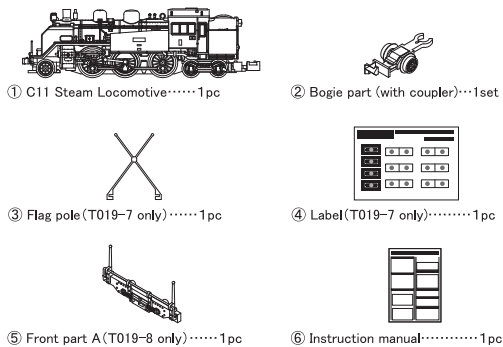
Thank you for purchasing this Rokuhan product.

This is precision product. Please read this instruction manual carefully before operation and operate properly.

## 1 Caution

- Use only a Rokuhan controller to operate this product.
- Clean track (Metal rails) before operation.
- Remove dirt and dust on wheels.
- Do not operate continuously over a long period of time.
- Do not suddenly change train direction. Stop train first then change direction.
- In the case of derailment or short circuit, turn off the power of controller, unplug the controller, and then eliminate the cause of problem.
- Disassembling and modification may cause failure of this product.
- Storing this product in direct sunlight or fluorescent light for long time cause change in color.
- Store and operate this product in dry dust free locations, away from sources of heat.
- To avoid shock or electrical accident, do not operate this product in a wet condition nor operate by wet hands.
- This product includes small and sharp parts. Handle with care.
- Handle tools with care.
- This product is not recommended for use by children under 15 years old unless supervised by an adult.

## 2 Package contents

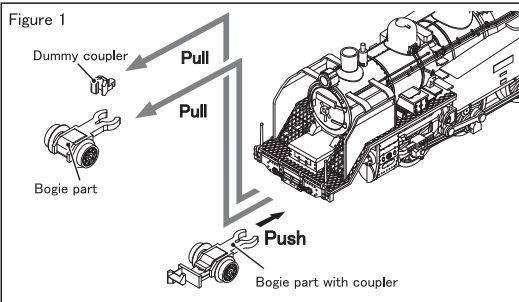


## 3 How to change connecting parts

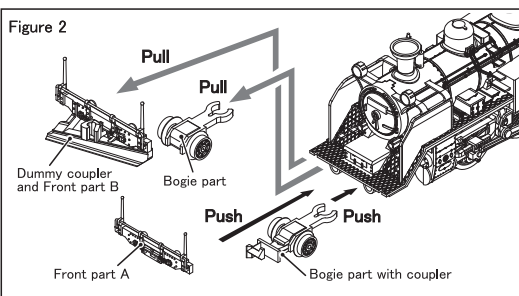
When a double-headed connection is build or C11 Steam loco is connected with other cars, some connecting parts need to be replaced.

### 3-1 Front connecting parts

**For T019-7** Remove Dummy coupler and Bogie part first, then push-in Bogie part with coupler like figure 1.

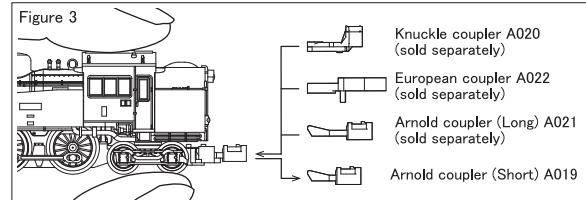


**For T019-8** Remove Dummy coupler, Front part B and Bogie part, then push-in Front part A and Bogie part with coupler like figure 2.



### 3-2 Rear connecting parts

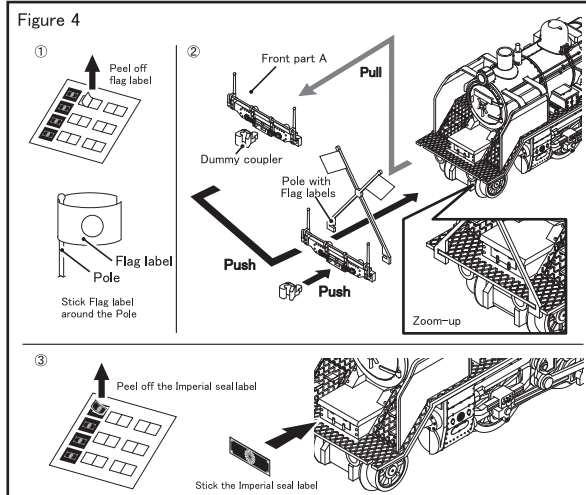
This product has Arnold coupler as default as the rear connecting part. To suit Diorama layout as well as pulling cars, several types of Rokuhan couplers are prepared to be replaced. See figure 3 and try to replace.



## 4 Flag and Imperial seal label (T019-7)

**For T019-7** How to place Flag and the Imperial seal label. See figure 4 to follow.

- ① Peel off the Flag label and stick around the Flag pole.
- ② To assemble the Pole, remove Dummy coupler and Front part A first from the body. Then re-assemble to sandwich the Flag pole.
- ③ Peel off the Imperial seal label and stick to follow the figure.



## 5 Maintenance

- If C11 does not run, check feeder cable and power are plugged in correctly, the positions of main switch and direction switch on controller. Also check batteries are set correctly in controller if batteries are used as power.
- If wheels or track has dirty, C11 does not run smoothly. Remove the dirt on the wheels and track with a clean cloth and rail cleaner. \* Do not put excessive power on the wheels when you clean it.
- Precise parts are used to make C11. Please pay attention not to damage, drop or put excessive pressure. Handle it with care. If it is broken, be careful not to be injured by the broken piece or not to accidentally swallow it.

## 6 Trouble and repair

- The user is responsible for any trouble, accident, or injury caused by misuse, disassembling, or modification of this product. Rokuhan will not repair a product which has been disassembled, taken apart, or modified.
- Specification and appearance of our products are subject to change without prior notice.
- We supply only complete product.
- Call Rokuhan customer service if you have any questions.