

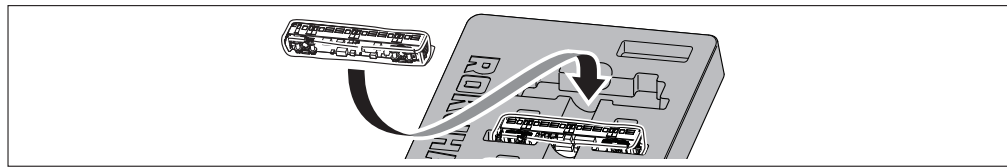
T013-5 500 TYPE EVA 5 Cars Extension Set instruction manual

※This is an extension set without motor car. Please buy T013-4 or G004-2 to run this set.

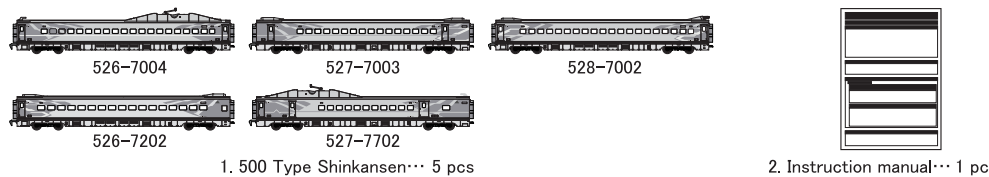
Thank you for purchasing this Rokuhan product.
This product is precise. Please read this instruction manual carefully before operation and operate properly.

1. Caution

- Use only a Rokuhan controller to operate this product.
- Clean track (Metal rails) before operation.
- Remove dirt and dust on wheels.
- Do not operate continuously over a long period of time.
- Do not suddenly change train direction. Stop train first then change direction.
- In the case of derailment or short circuit, turn off the power of controller, unplug the controller, and then eliminate the cause of problem.
- Disassembling and modification could cause failure of this product.
- Storing this product in direct sunlight or fluorescent light for long time could cause change in color.
- Store and operate this product in dry dust free locations, away from sources of heat.
- To avoid shock or electrocution, do not operate this product in a wet location or operate with wet hands.
- This product includes sharp parts. Handle with care.
- Handle tools with care.
- This product is not recommended for use by children under 8 years old unless supervised by an adult.
- Please make sure to wrap the cars with Poly bag to avoid any damages when you pack the cars into blister package.



2. Contents of product

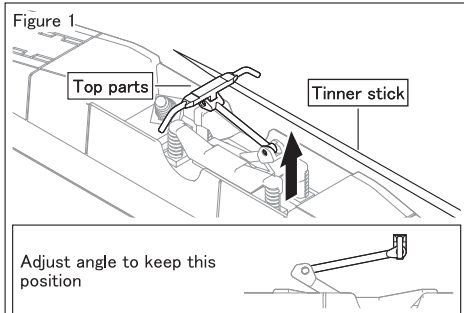


3. Caution to handle trains

3-1 How to set pantograph height

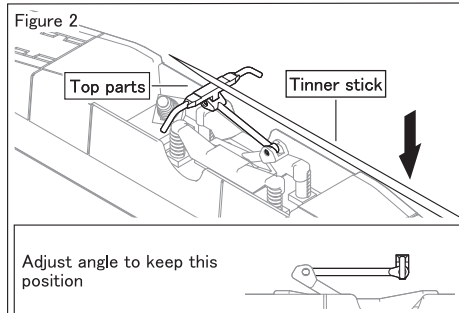
- 526-7004 ● 527-7702

1. Pull-up top parts softly by stick until stop. (See figure 1)



* Pantograph will be broken if pull-up too much.

2. Push down top parts softly until touch. (See figure 2)

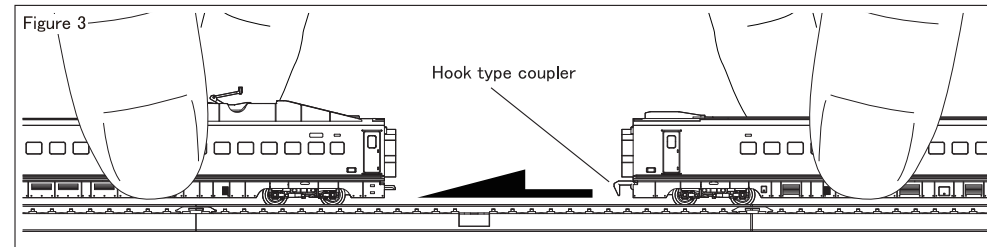


* Pantograph will be broken if push down too much.

3-2 Connect and dis-connect cars

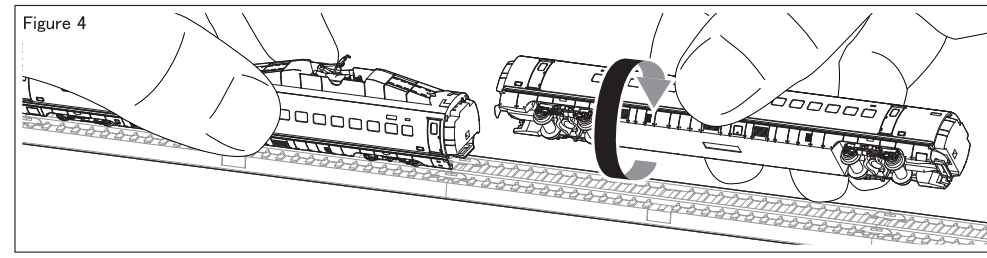
- Connect cars

Place the cars on the straight track using Rerailer (Sold separately). Cramp each car by finger, shift the car (With Hook type coupler) forward and connect both cars. (See figure 3)



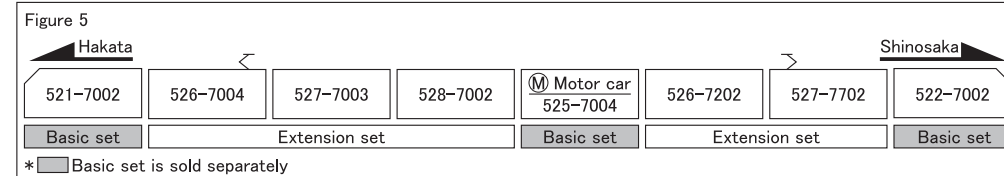
- Dis-connect cars

Cramp each car by finger and turn the car (With Hook type coupler) over, then both cars are dis-connected. (See figure 4)



4. Formation

This product can be combined with T013-4 500 Type EVA 3 cars basic set(Sold separately), then a 8 cars set is completed. (See figure 5)



5. Accessories (Sold separately)

Room light

A031 Room light for middle car (Long) which contains LED interior lighting module can be installed in all cars of this set. For more information, see the instruction manuals.

6. Trouble shooting

Read subject 6 & 7 of Instruction manual for T013-4 500 Type EVA 3 cars basic set(Sold separately)

7. Trouble and repair

- The user is responsible for any trouble, accident, or injury caused by misuse, disassembling, or modification of this product. Rokuhan will not repair a product which has been opened, taken apart, or modified.
- Specification and appearance of our products are subject to change without prior notice.
- We sell assembled product only.
- Contact Rokuhan customer service if you have any questions about this product.